

6

5

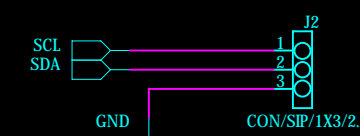
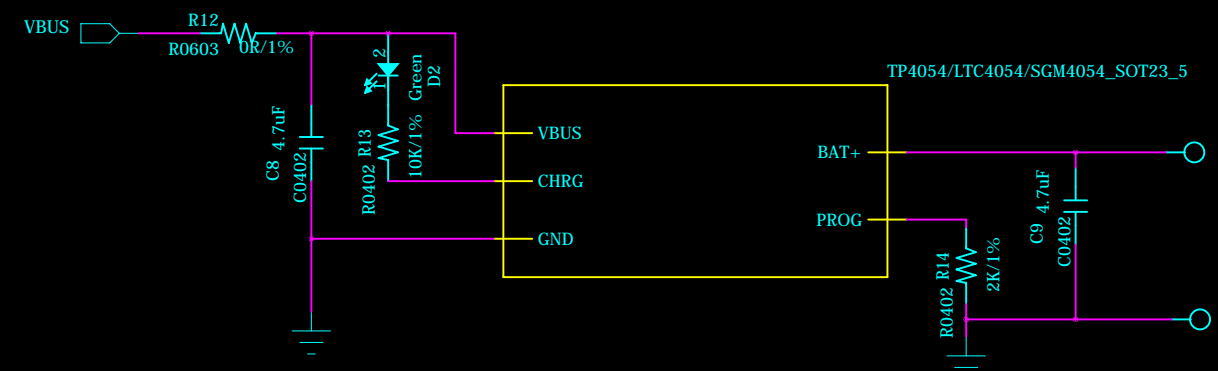
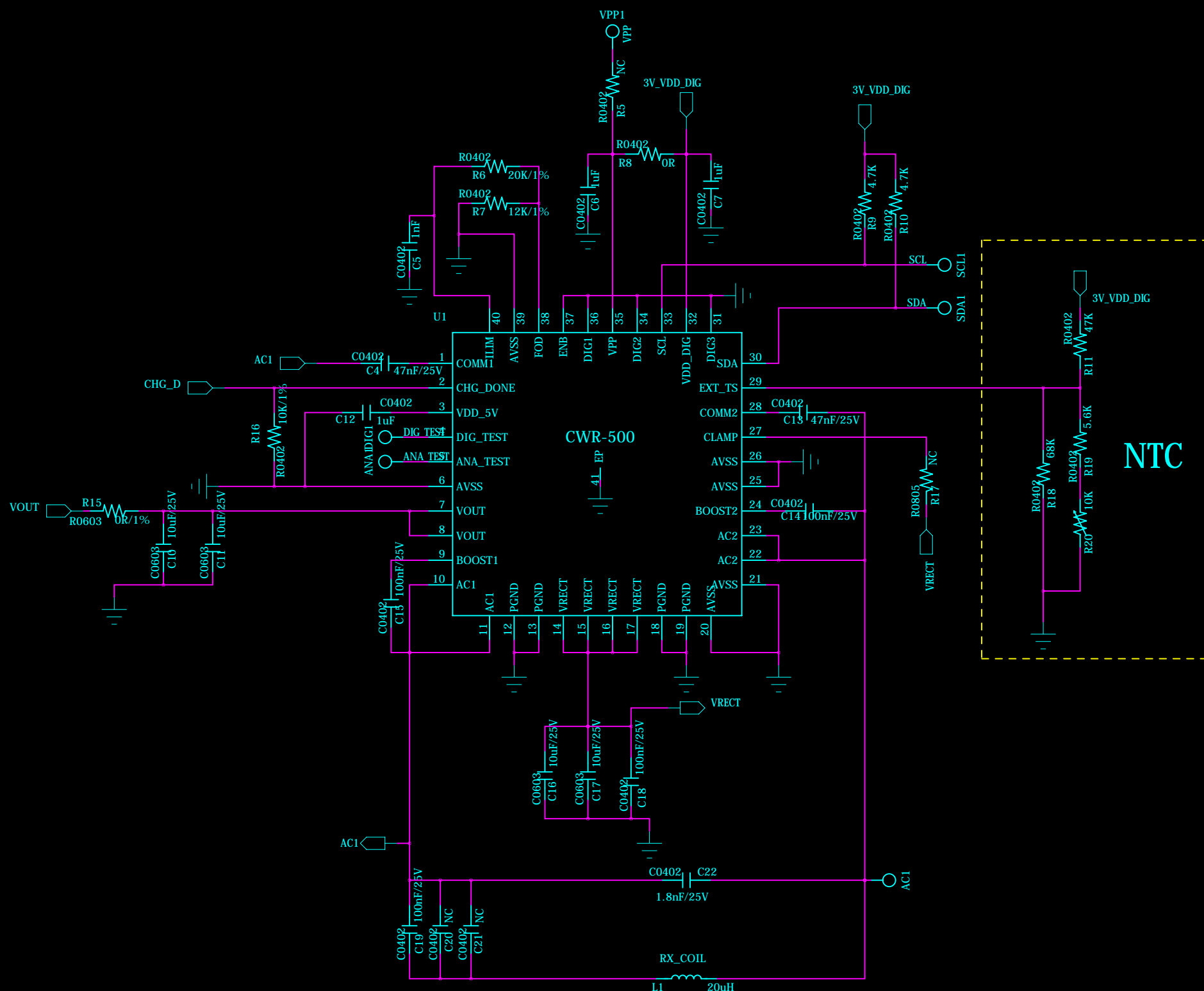
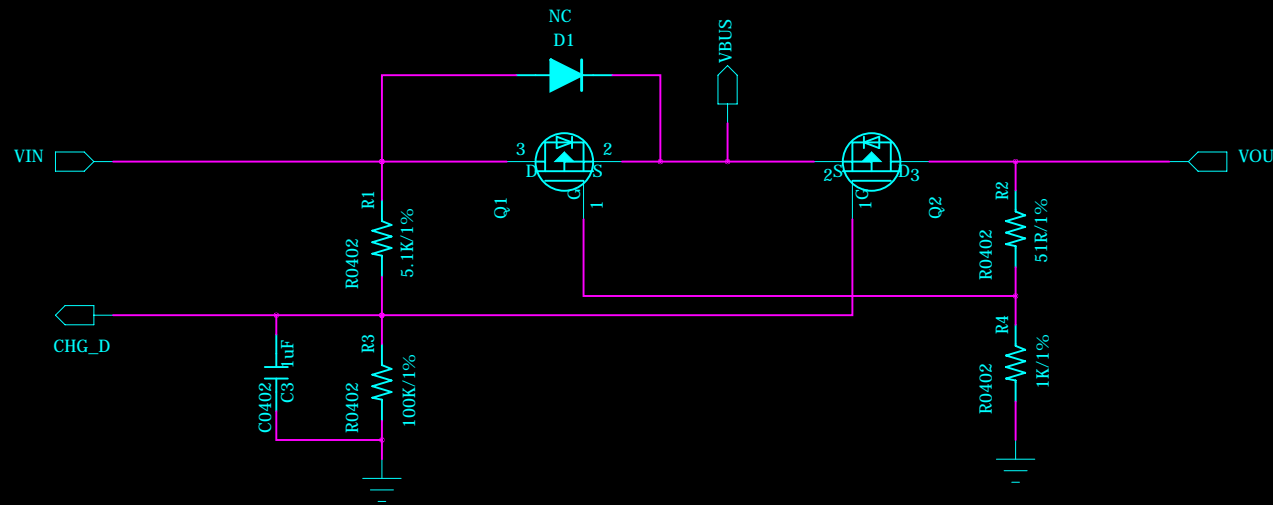
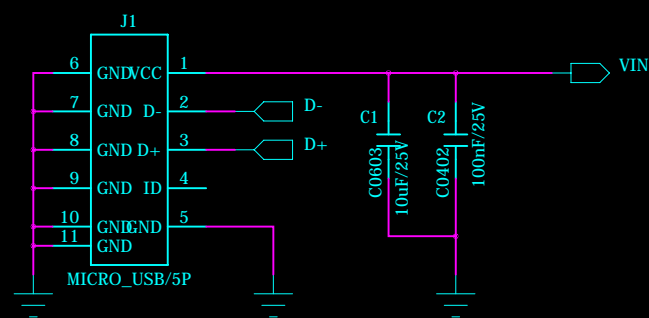
4

3

2

1

REVISION RECORD			
LTR	ECO NO.	APPROVED:	DATE:



D

D

C

C

B

B

A

A

COMPANY: <Company Name>

TITLE: <Title>

DRAWN: <Drawn By>	DATED: <Drawn Date>
CHECKED: <Checked By>	DATED: <Checked Date>
QUALITY CONTROL: <QC By>	DATED: <QC Date>
RELEASED: <Released By>	DATED: <Release Date>

CODE: <Code>	SIZE:	DRAWING NO.:	REV.:
<Drawing Number>		<Revision>	

SCALE: <Scale> SHEET: 1 OF 2