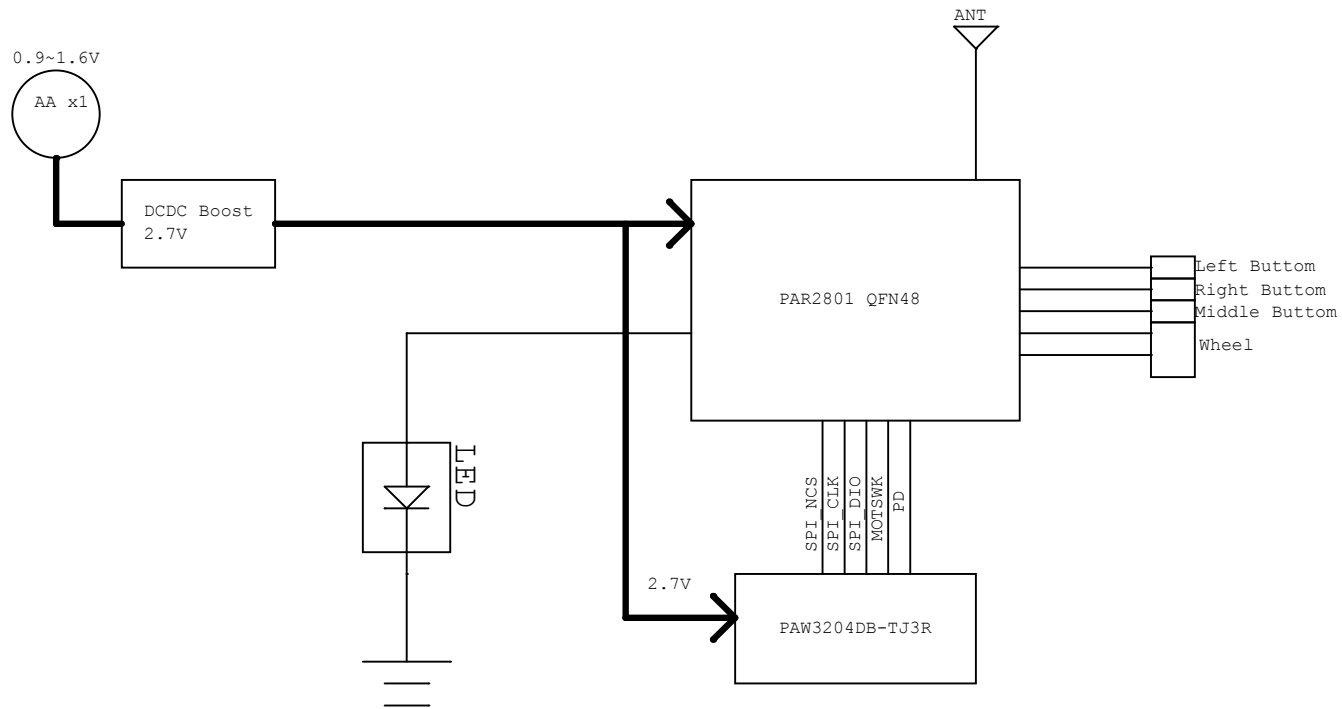
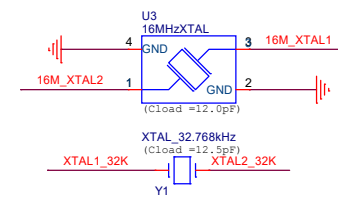
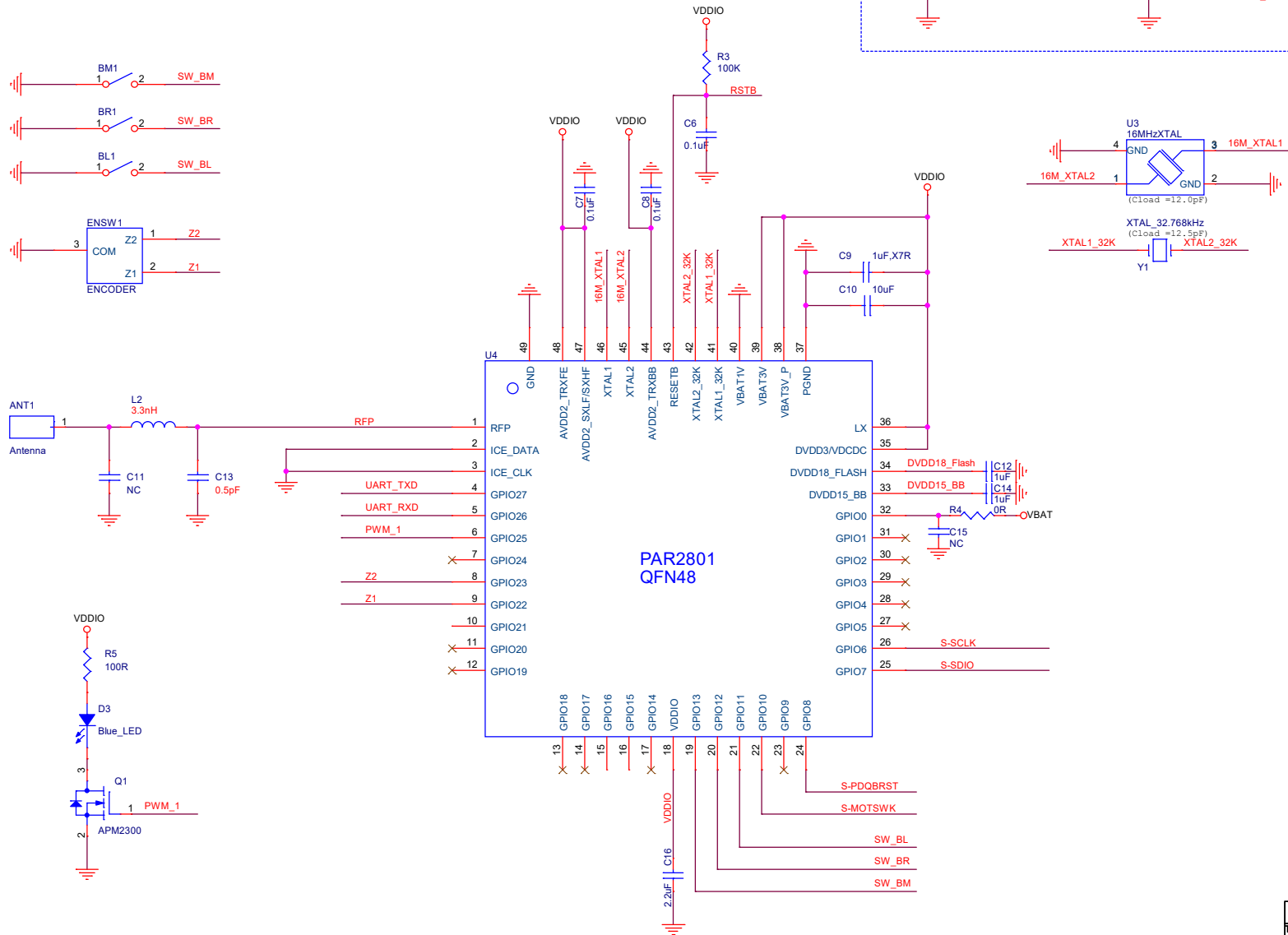
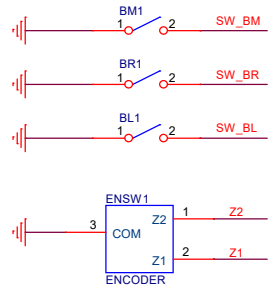
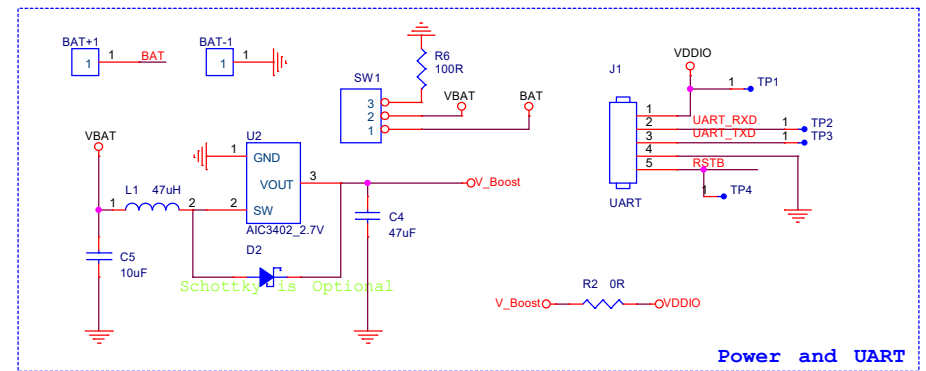
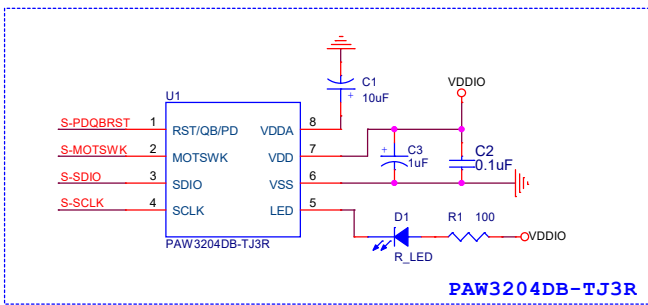


History Record

Revision	Date	Owner	Reason	DESCRIPTION
V1.0	2018/12/26	Anson	Initial	
V1.1	2019/01/07	Anson	Release Antenna Matching	Release Antenna Matching, L2 3.3nH, C13 0.5pF



Title		
<Title>		
Size	Document Number	Rev
A	<Doc>	<RevCode>
Date:	Monday, January 07, 2019	Sheet 1 of 2



Title		PAR2801+PAW3204DB-TJ3R_Mouse
Size	Document Number	Rev
A3	<Doc>	<Rev Code>
Date:	Monday, January 07, 2019	Sheet 2 of 2