



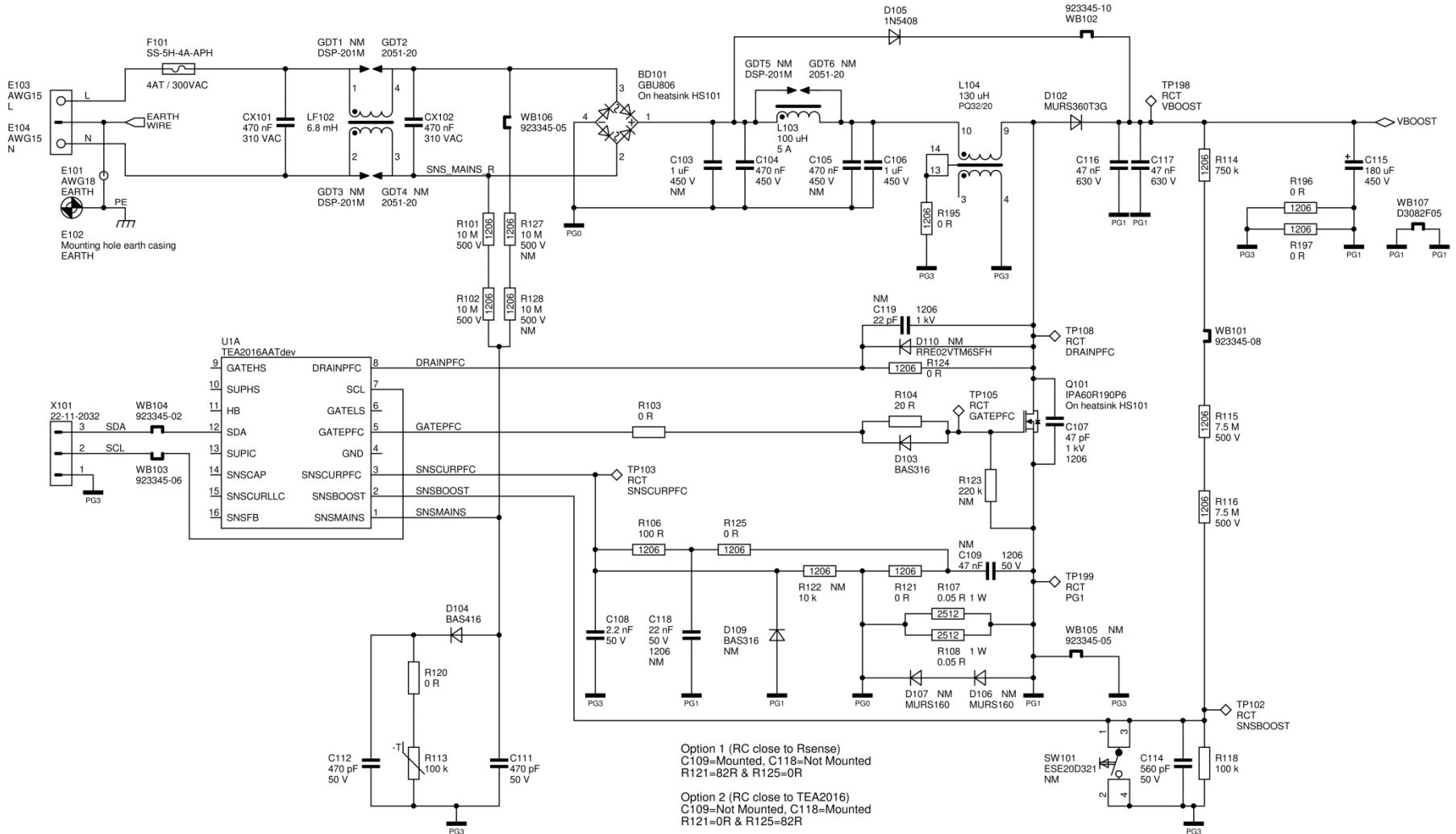
大聯大控股
A Member of WPG Holdings

品佳集團
Silicon Application Corp. Group

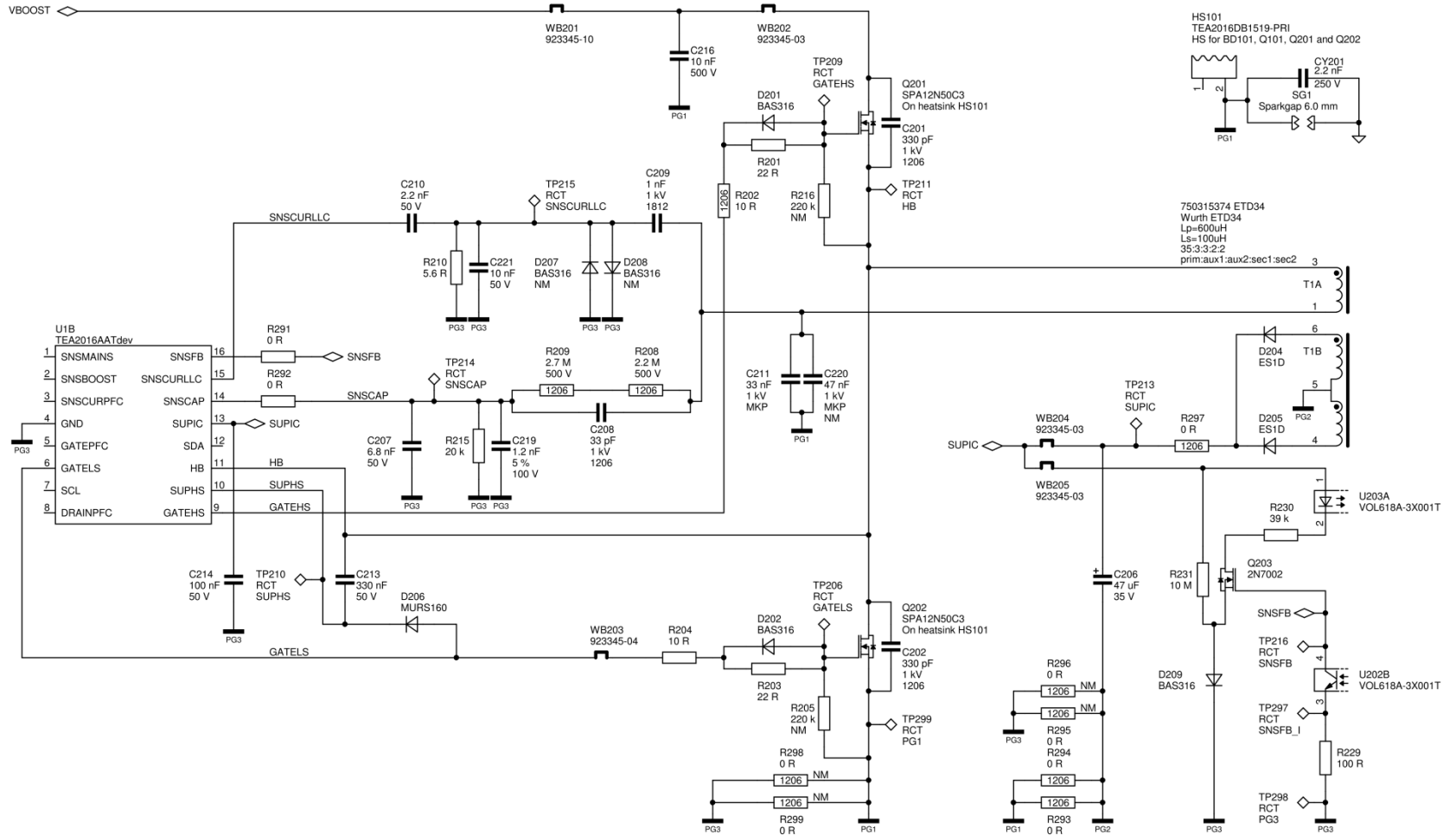
TEA2016 for 240W adaptor schematic



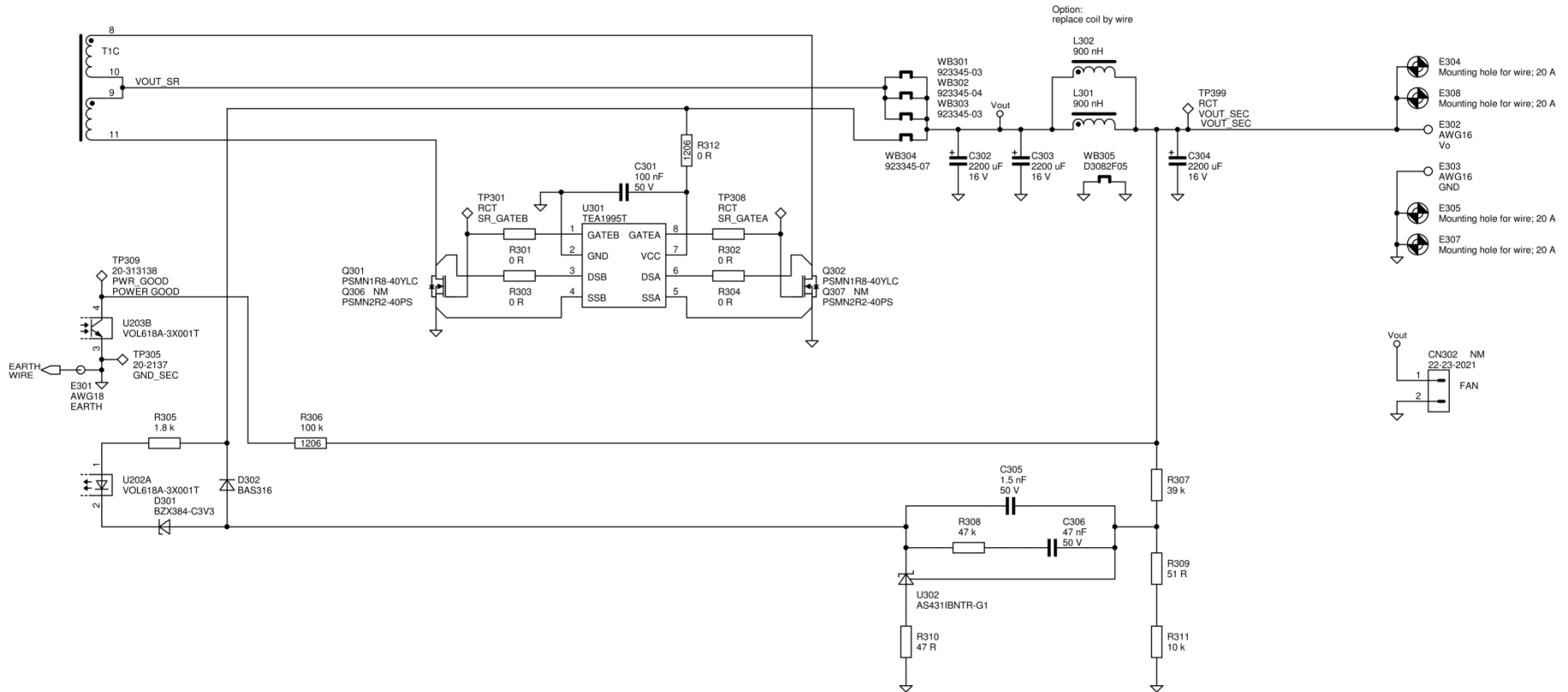
PFC schematic



LLC schematic



SR schematic





Thank you

產業首選 · 通路標竿