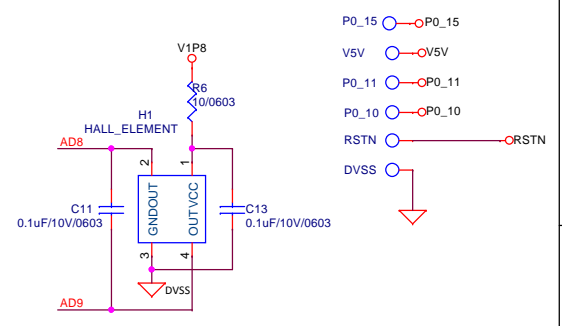
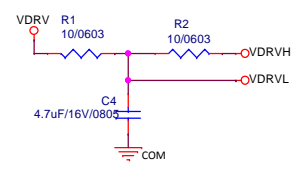
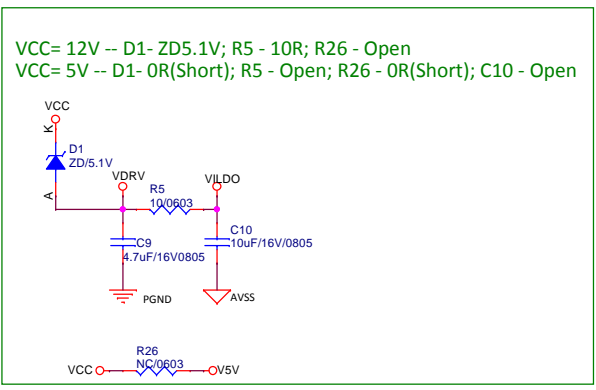
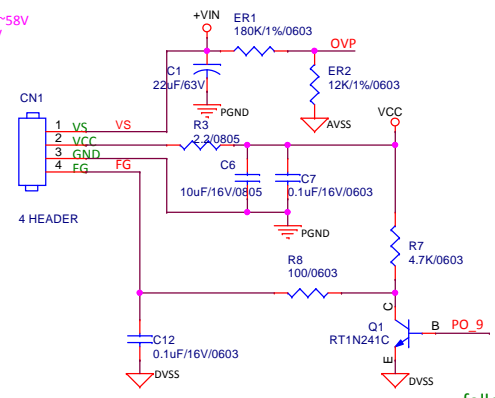
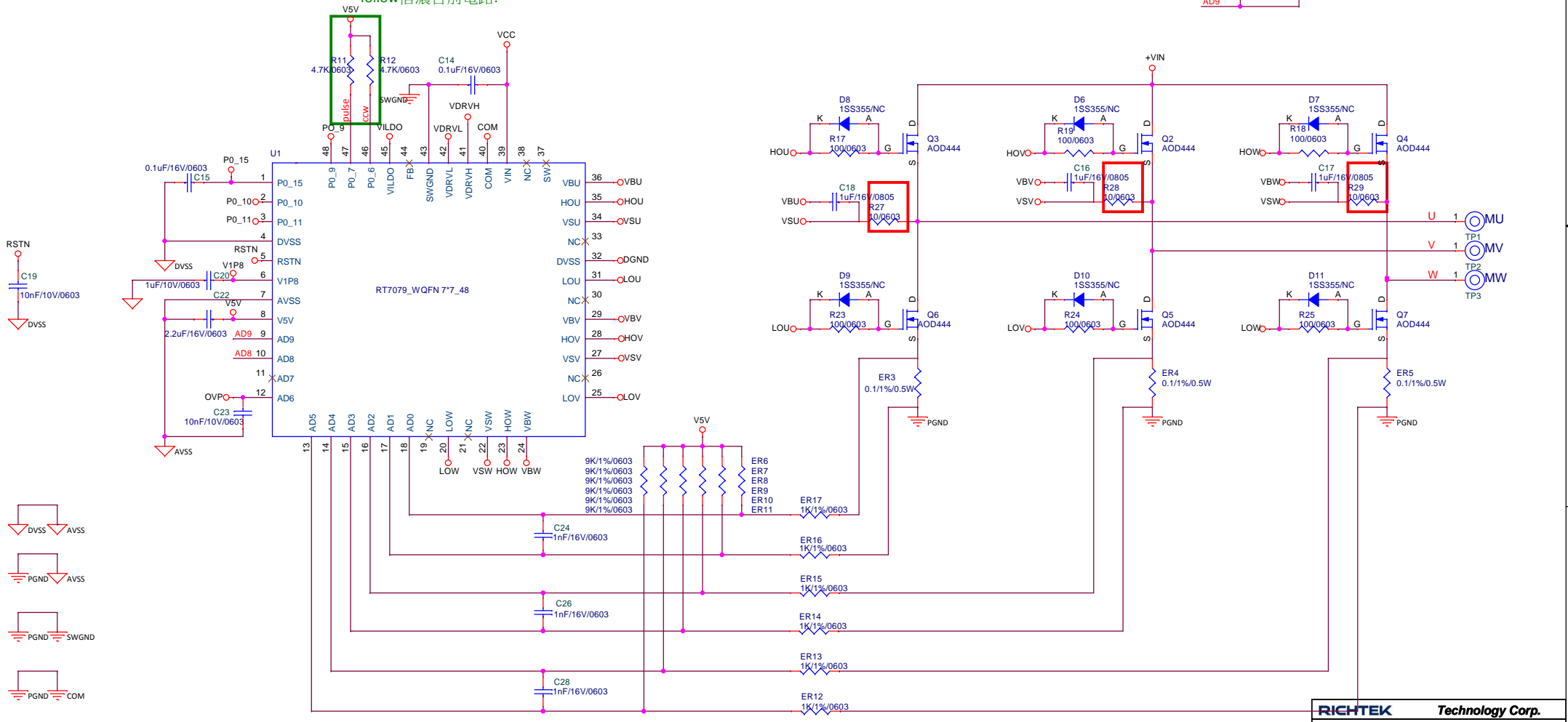


VS -- 8V~58V  
VCC 12V



follow信濃目前電路.



<b>RICHTEK</b> Technology Corp.	
Schematic File Name :	
EVB Number : RT7079	Size : A3
Engineer Name :	Sheet 1 of 1
Date :	