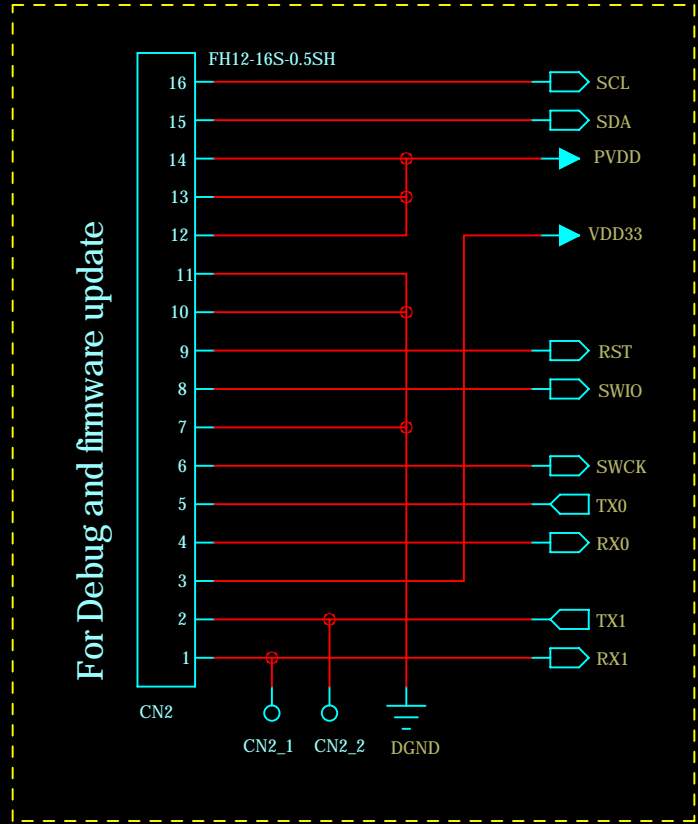


Ground pattern needs to separate to DGND and PGND1 to avoid the influence of noise.

Reference point of GND

Hys control block

Gain control block



AFOD	Object detection level select
DFOD	Foreign object detection level select
TCAL	Thermal detection level select
LEDSEL	LED mode select

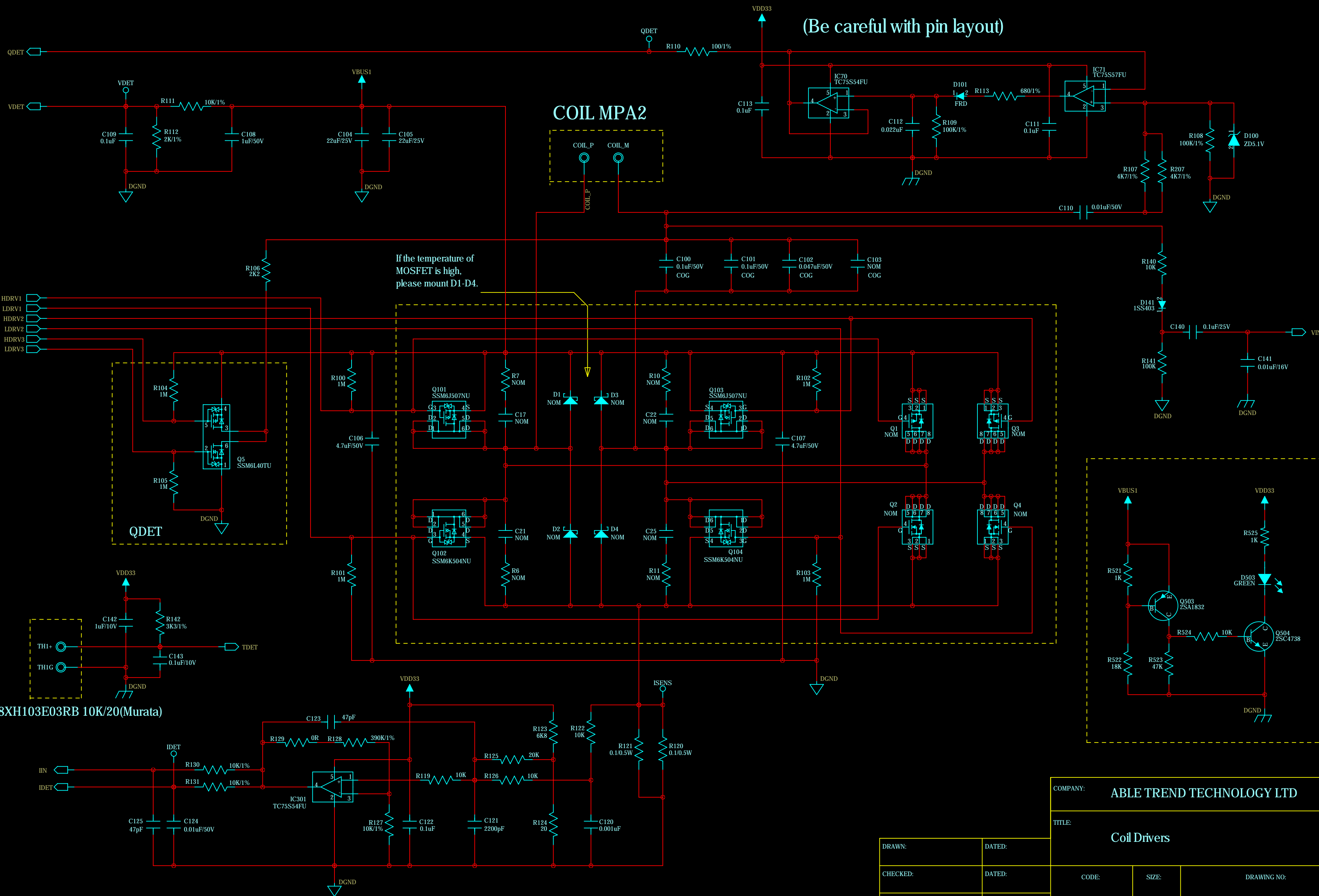
	ModeSET	
	R527	R528
Multi.	47K	NOM
MPA2	NOM	47K

SW5-Function

		IC1_32pin(33pin)
1-2 (4-5)	SW Update	Connect to CN2_1pin(2pin)
2-3 (5-6)	Normal	Connect to IC2_11pin(R531)

DRAWN:	DATED:
CHECKED:	DATED:
QUALITY CONTROL:	DATED:
RELEASED:	DATED:

COMPANY: SAC			
TITLE: TC7718FTG SINGLE COIL MPA2			
CODE:	SIZE: A2	DRAWING NO:	REV: 0.4
SCALE:		SHEET: 1 OF 2	



(Be careful with pin layout)

If the temperature of MOSFET is high, please mount D1-D4.

NCP18XH103E03RB 10K/20(Murata)

COMPANY: ABLE TREND TECHNOLOGY LTD			
TITLE: Coil Drivers			
CODE:	SIZE: A2	DRAWING NO:	REV: 0.4
SCALE:	SHEET: 2 OF 2		

DRAWN:	DATED:
CHECKED:	DATED:
QUALITY CONTROL:	DATED:
RELEASED:	DATED: