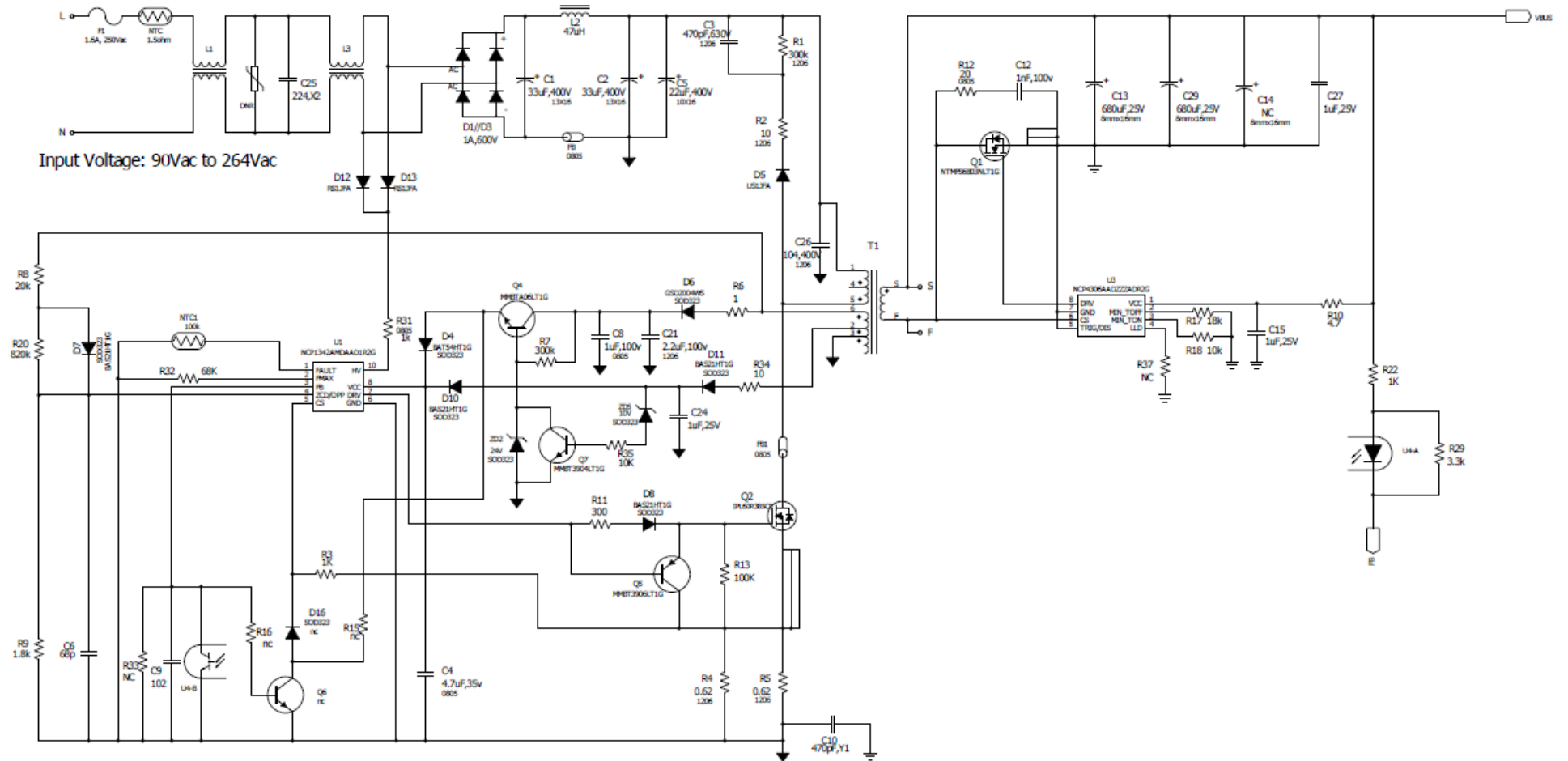


# DN05104/D Circuit Schematic



## DN05104/D Circuit Schematic (Continued)

