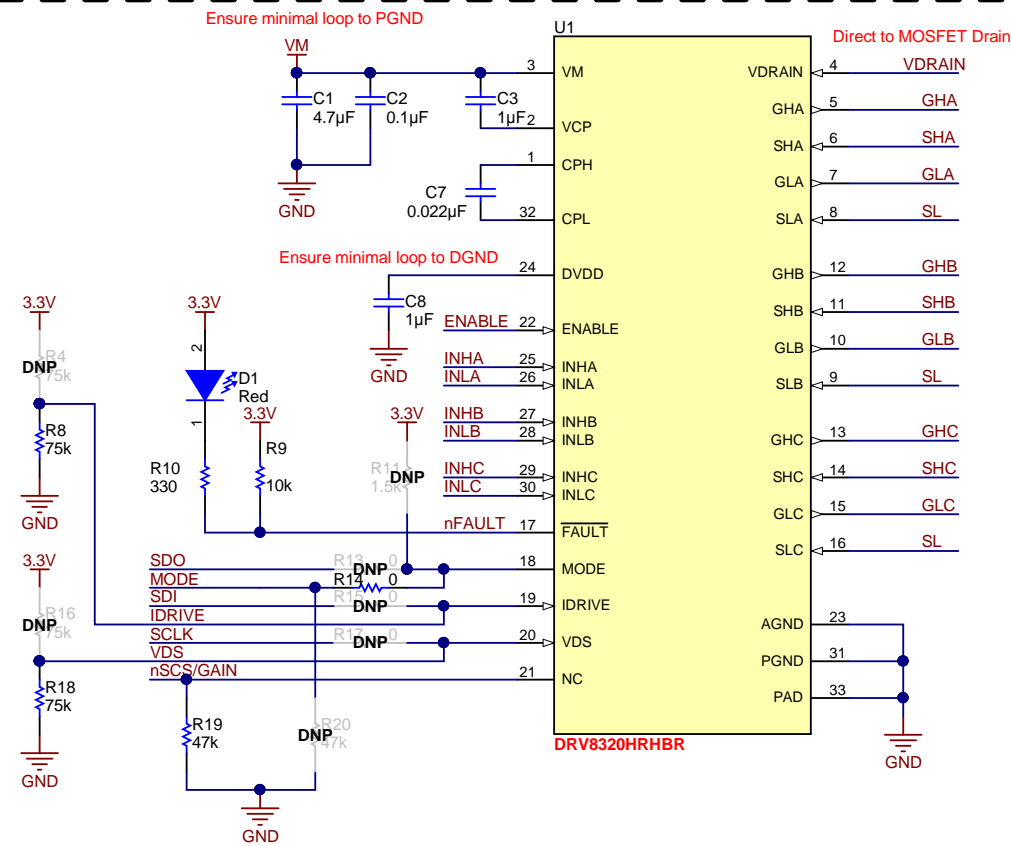
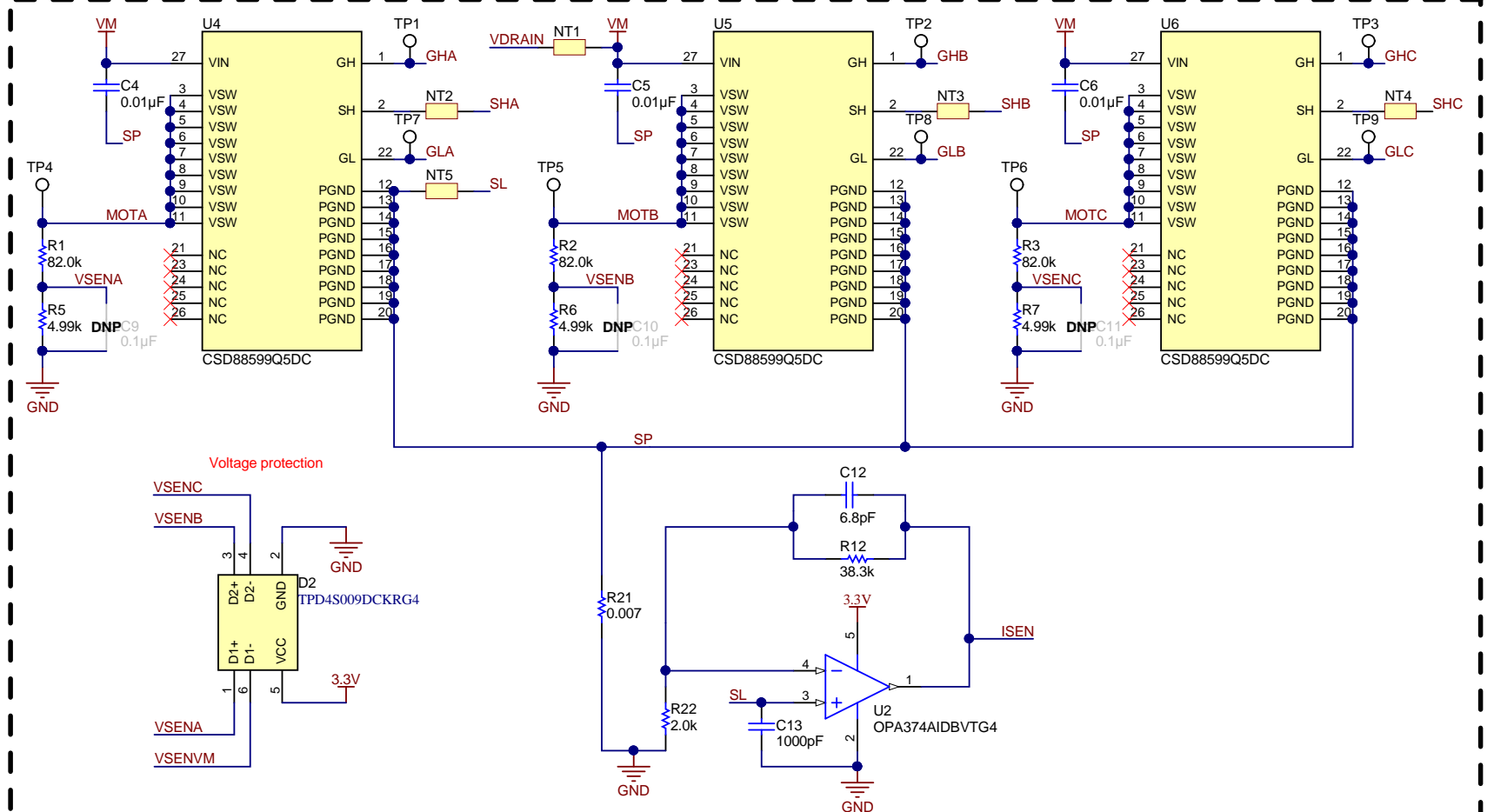


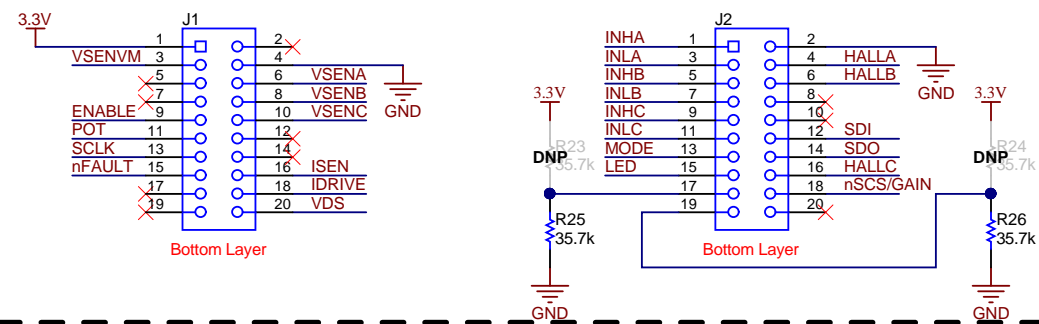
# DRV8320X



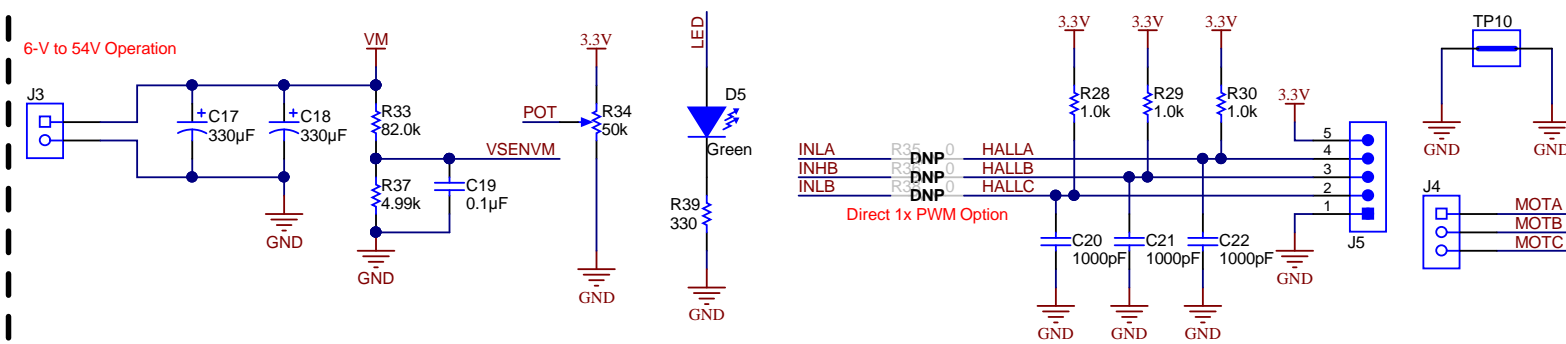
# HALF-BRIDGES & SENSE



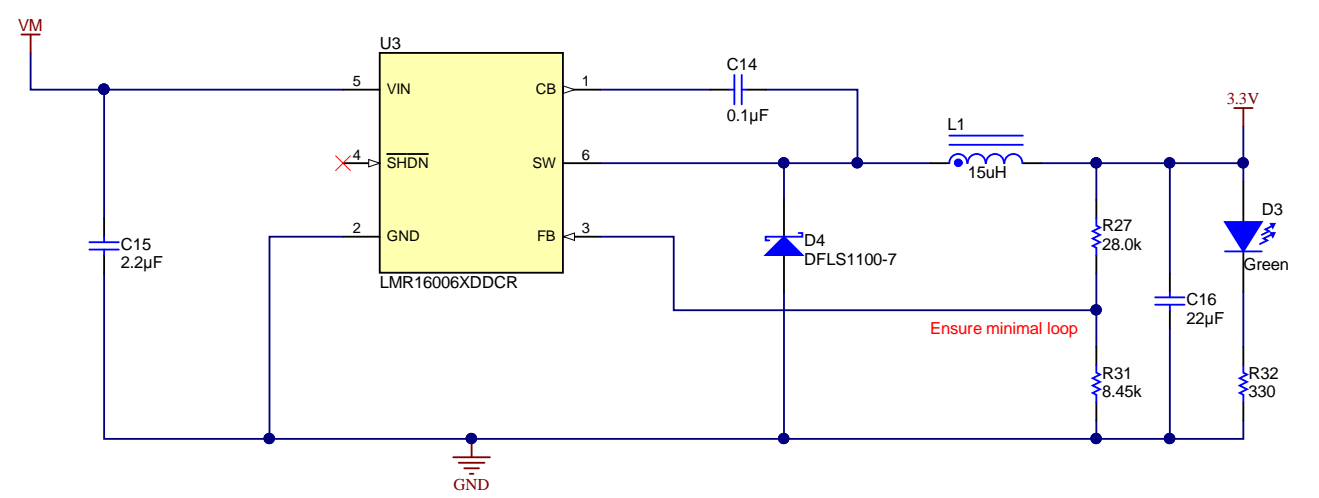
# BOOSTERPACK -> LAUNCHPAD



# CONNECTORS & INTERFACE



# 3.3 V Regulator



Texas Instruments and/or its licensors do not warrant the accuracy or completeness of this specification or any information contained therein. Texas Instruments and/or its licensors do not warrant that this design will meet the specifications, will be suitable for your application or fit for any particular purpose, or will operate in an implementation. Texas Instruments and/or its licensors do not warrant that the design is production worthy. You should completely validate and test your design implementation to confirm the system functionality for your application.

Orderable: BOOSTXL-DRV8320H	Designed for: Public Release	Mod. Date: 5/22/2017
TID #: N/A	Project Title: BOOSTXL-DRV8320XEVM	
Number: MDBU020	Rev: A	Sheet Title:
SVN Rev: Version control disabled	Assembly Variant: 002	Sheet: 1 of 2
Drawn By: Nick Oborny	File: MDBU020.SchDoc	Size: B
Engineer: Nick Oborny	Contact: <a href="http://www.ti.com/support">http://www.ti.com/support</a>	



DNP FID1    DNP FID2    DNP FID3

PCB Number: MDBU020  
PCB Rev: A

PCB LOGO  
Texas Instruments

PCB LOGO  
FCC disclaimer



PCB LOGO  
EU RoHS Exempt Logo

Revision History				
Rev	ECN #	Approved Date	Approved by	Notes
E1	N/A	05/12/2016	Nick Oborny	First prototype
E2	N/A	12/10/2016	Phil Beard	CSD88599 Prototype

Variant/Label Table	
Variant	Label Text
001	BOOSTXL-DRV8320S
002	BOOSTXL-DRV8320H

LBL1  
PCB Label  
Size: 0.65" x 0.20"

ZZ1  
Label Assembly Note  
This Assembly Note is for PCB labels only

ZZ2  
Assembly Note  
These assemblies are ESD sensitive, ESD precautions shall be observed.

ZZ3  
Assembly Note  
These assemblies must be clean and free from flux and all contaminants. Use of no clean flux is not acceptable.

ZZ4  
Assembly Note  
These assemblies must comply with workmanship standards IPC-A-610 Class 2, unless otherwise specified.

Orderable: BOOSTXL-DRV8320H	Designed for: Public Release	Mod. Date: 5/22/2017
TID #: N/A	Project Title: BOOSTXL-DRV8320XEVM	
Number: MDBU020	Rev: A	Sheet Title:
SVN Rev: Version control disabled	Assembly Variant: 002	Sheet: 2 of 2
Drawn By: Nick Oborny	File: MDBU020_Hardware.SchDoc	Size: B
Engineer: Nick Oborny	Contact: <a href="http://www.ti.com/support">http://www.ti.com/support</a>	

Texas Instruments and/or its licensors do not warrant the accuracy or completeness of this specification or any information contained therein. Texas Instruments and/or its licensors do not warrant that this design will meet the specifications, will be suitable for your application or fit for any particular purpose, or will operate in an implementation. Texas Instruments and/or its licensors do not warrant that the design is production worthy. You should completely validate and test your design implementation to confirm the system functionality for your application.