

DN05101/D Circuit Schematic

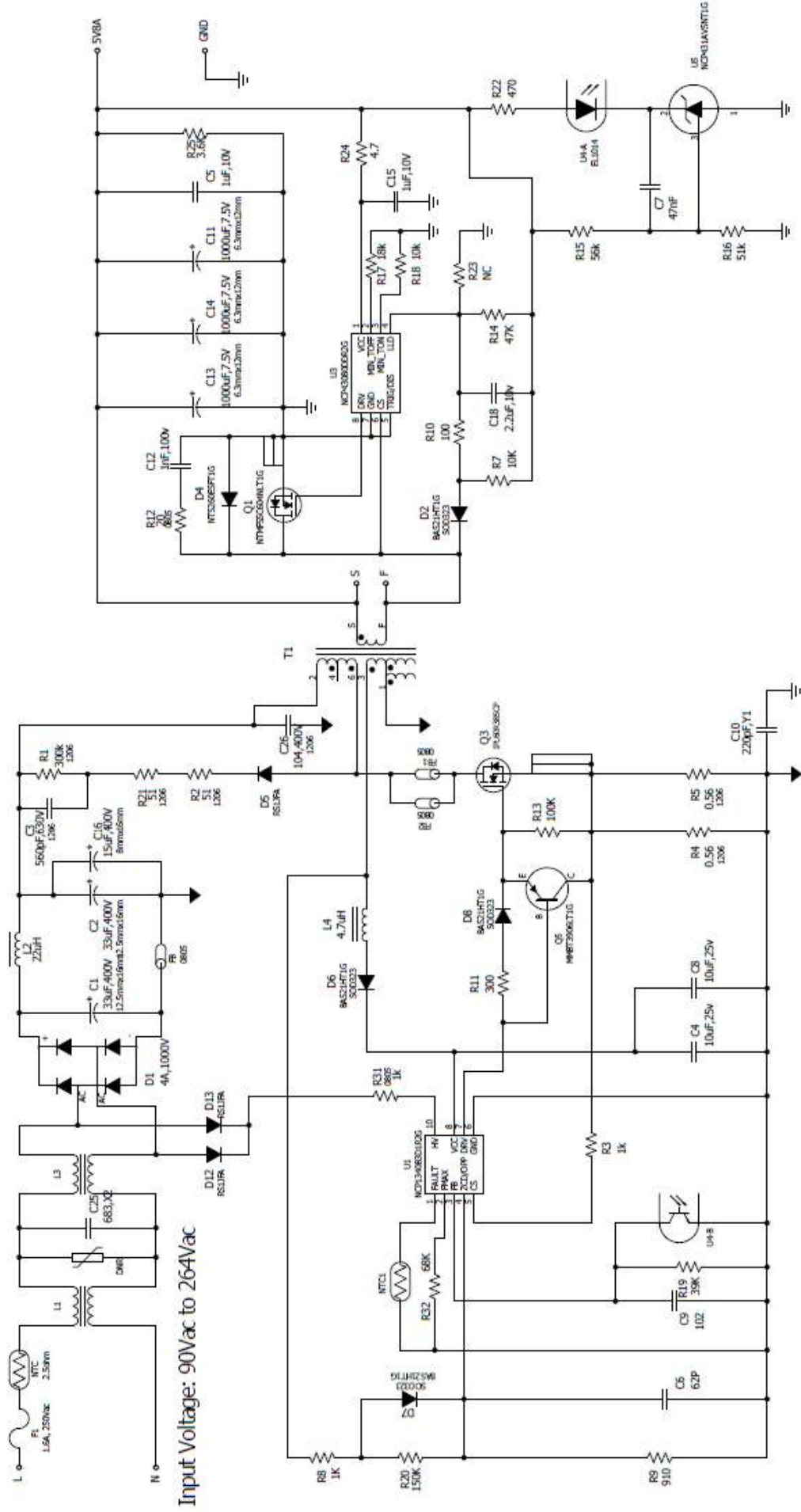


Figure 5, Schematic