

STEVAL-IHM038V1

Schematic diagram

Figure 1. Microcontroller

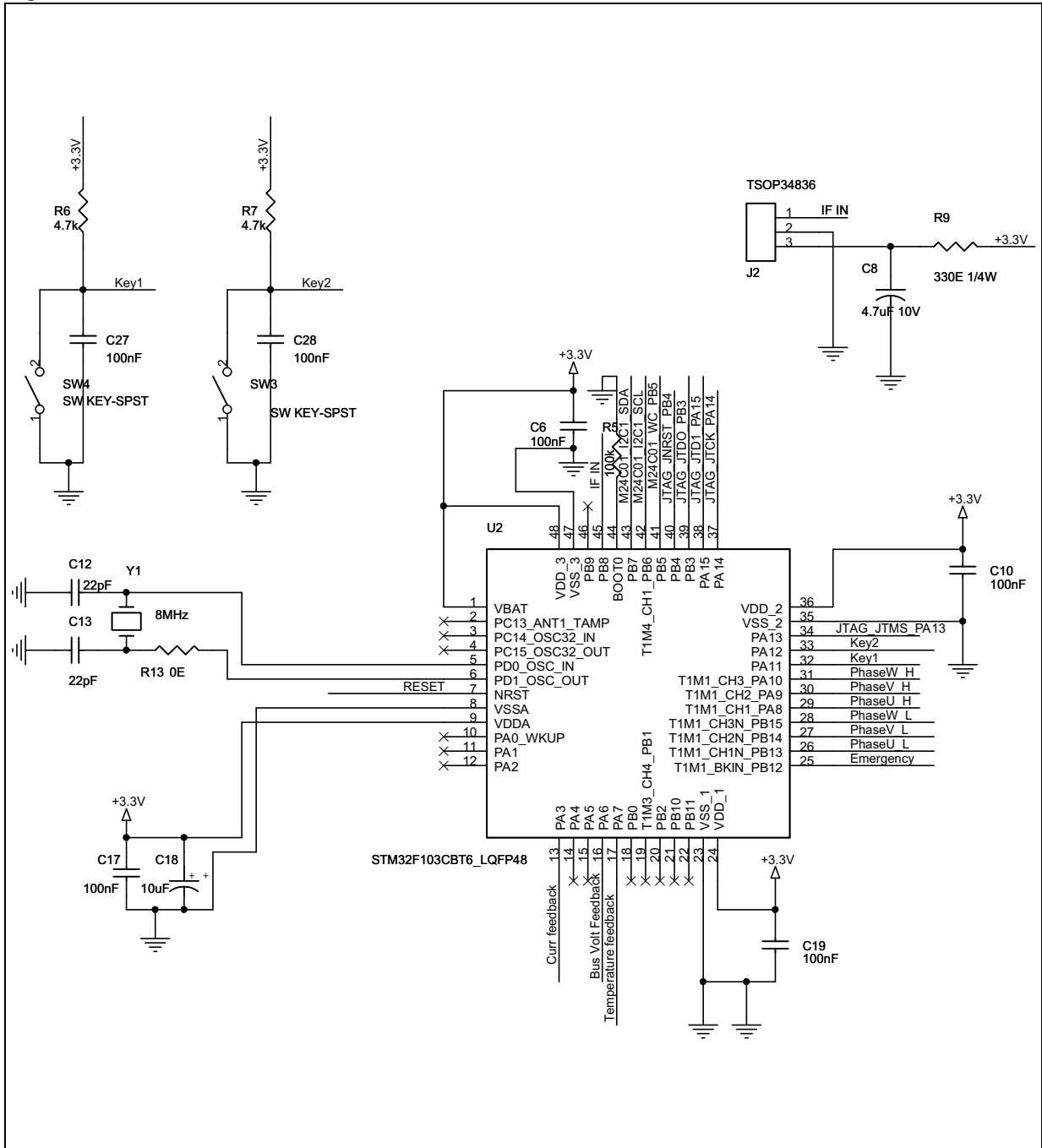


Figure 2. Jtag connector

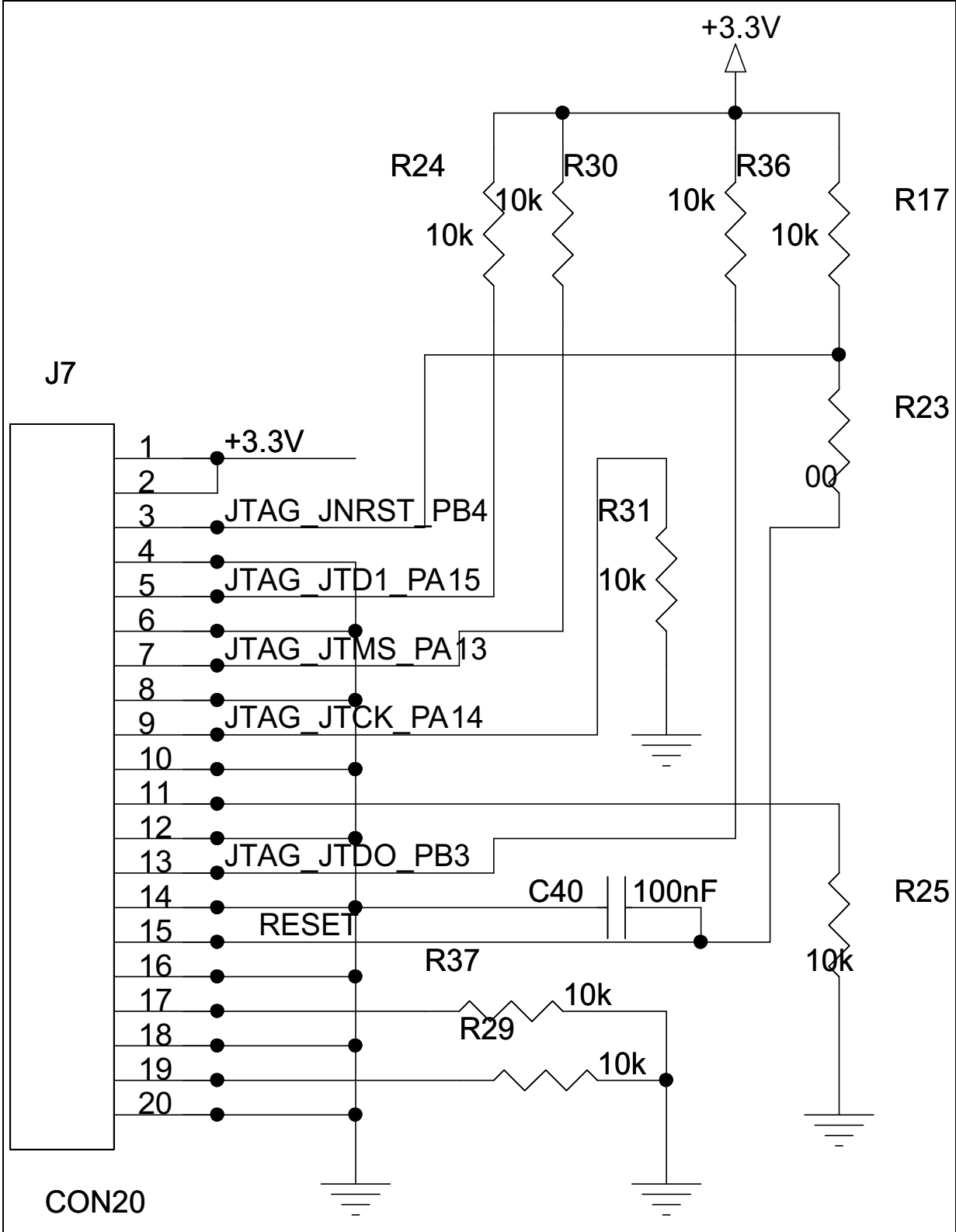


Figure 3. EEprom section

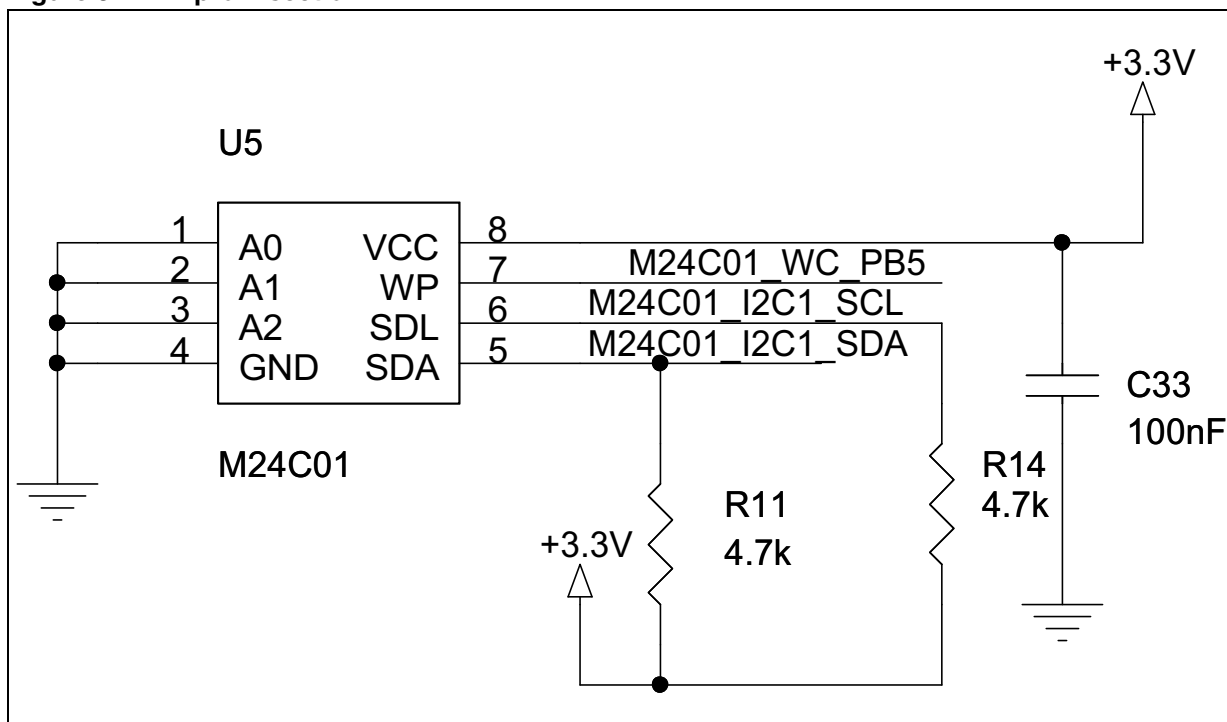


Figure 4. Power section

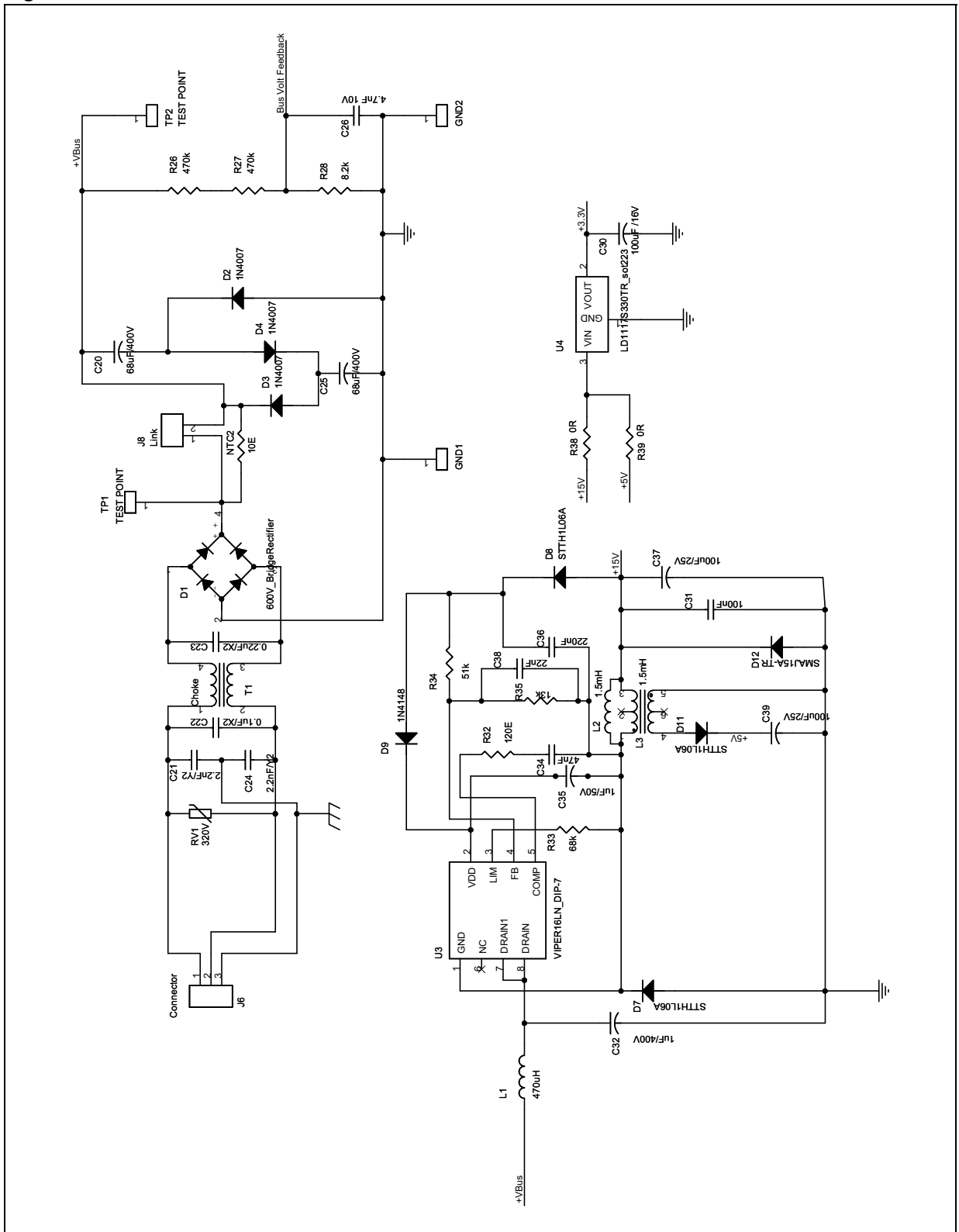


Figure 5. Inverter section

