
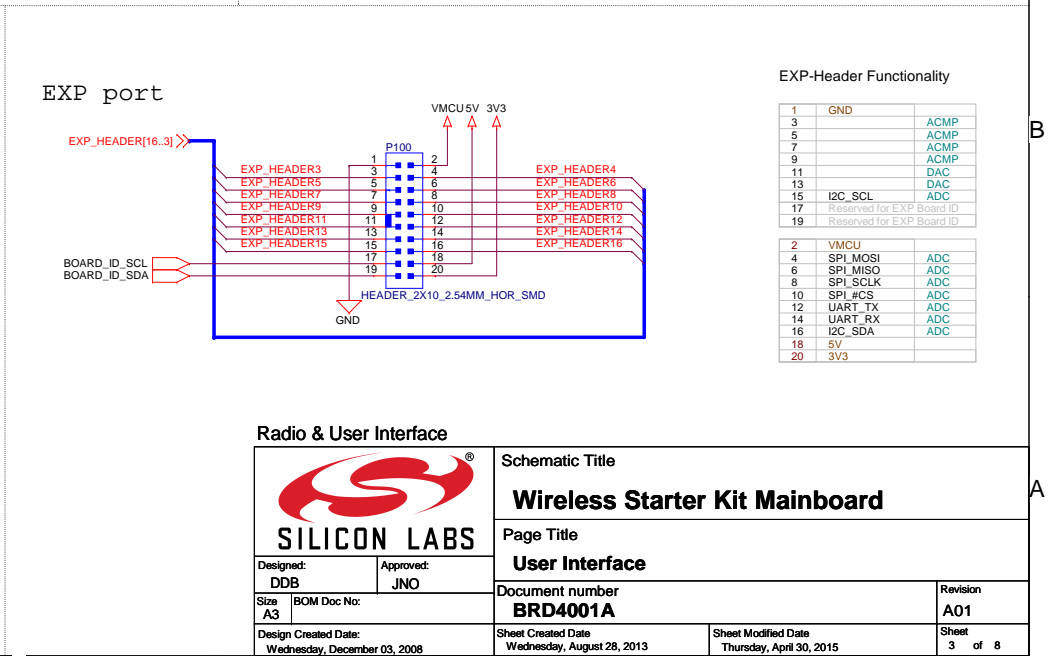
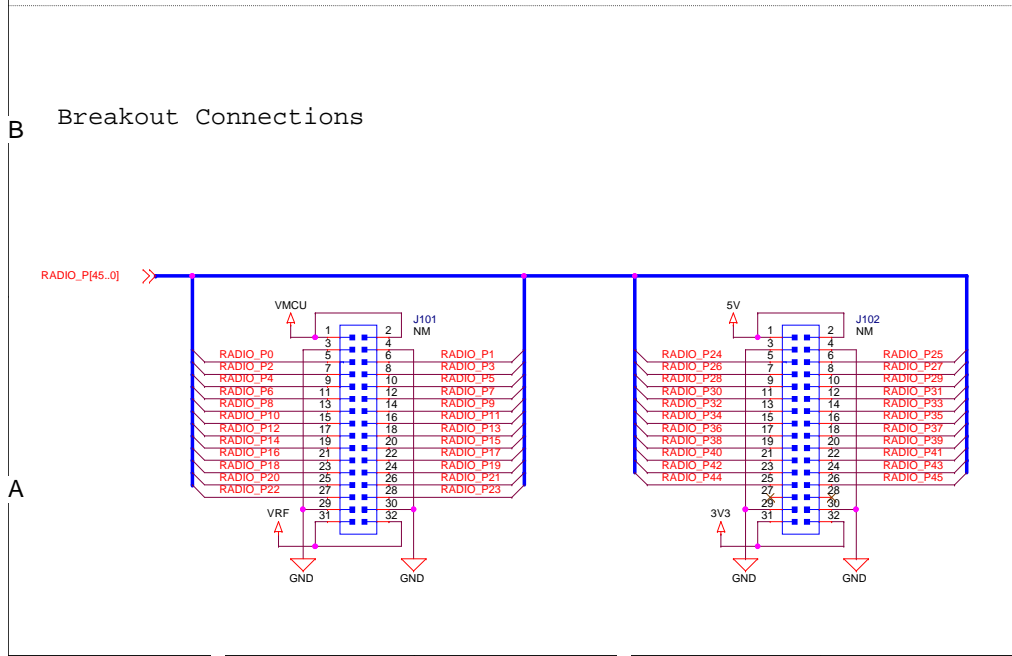
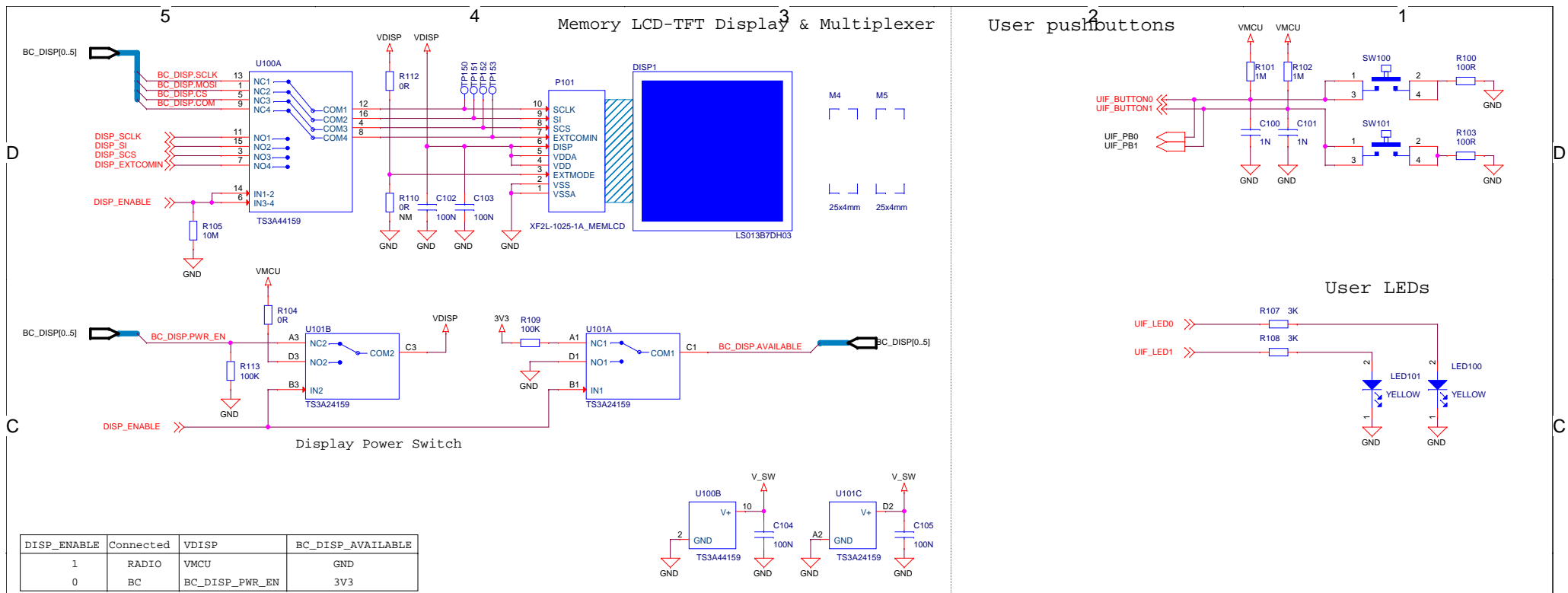
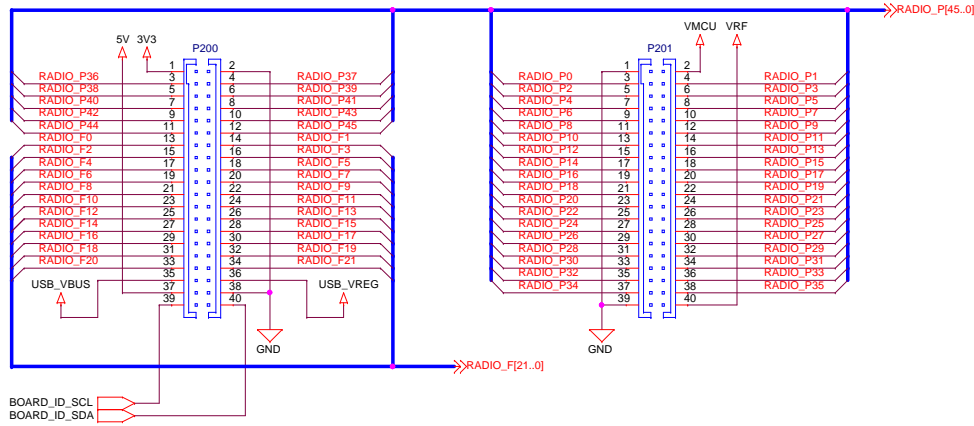


/
STK

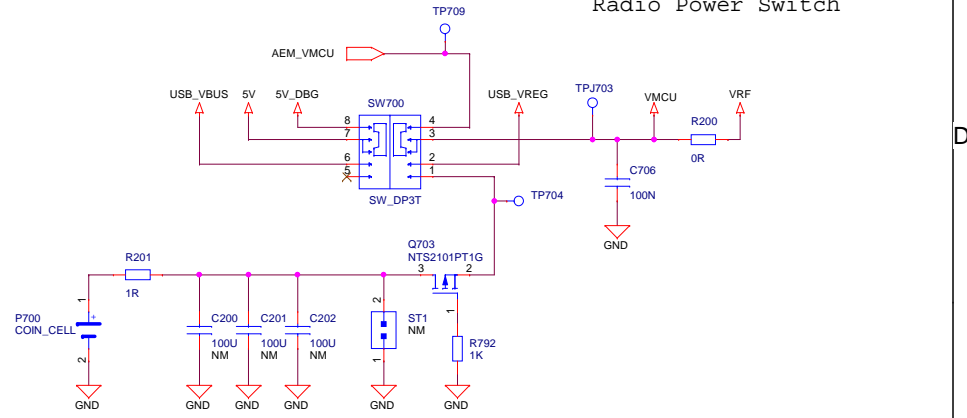
 SILICON LABS		Schematic Title	
		Wireless Starter Kit Mainboard	
Designed: DDB Approved: JNO		Page Title	
		Top Level Hierarchy	
Size A3	BOM Doc No: <Cage Code>	Document number BRD4001A	Revision A01
Design Created Date: Wednesday, December 03, 2008	Sheet Created Date Wednesday, June 19, 2013	Sheet Modified Date Thursday, April 30, 2015	Sheet 2 of 8



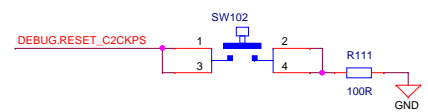
Radio Board Connectors



Radio Power Switch



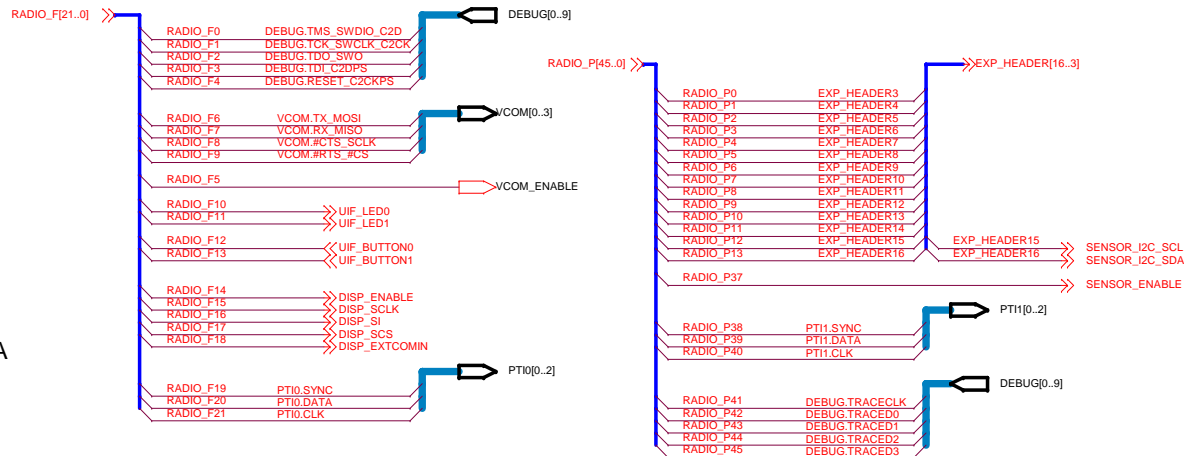
Radio Reset



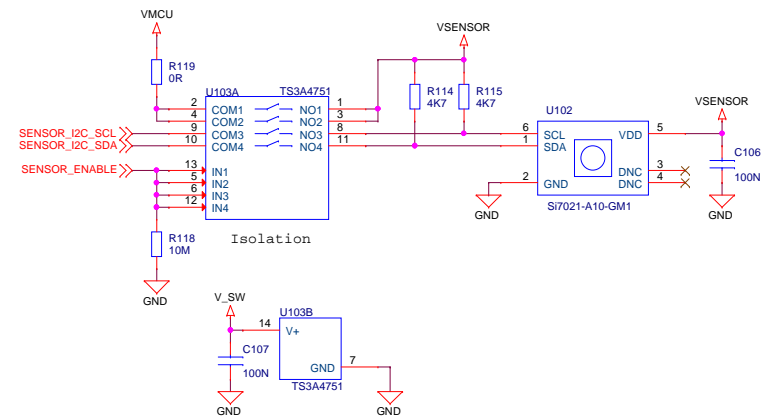
Switch Pos.	Target Supply	EXP Header 5V
1	Output from AEM	J-Link 5V_DBG
2	Target USB_VREG	Target USB_VBUS
3	Coin Cell Battery	(J-Link 5V_DBG)

Dedicated functions on RF Board Connectors

Functions shared with breakout pins on RF Board Connectors

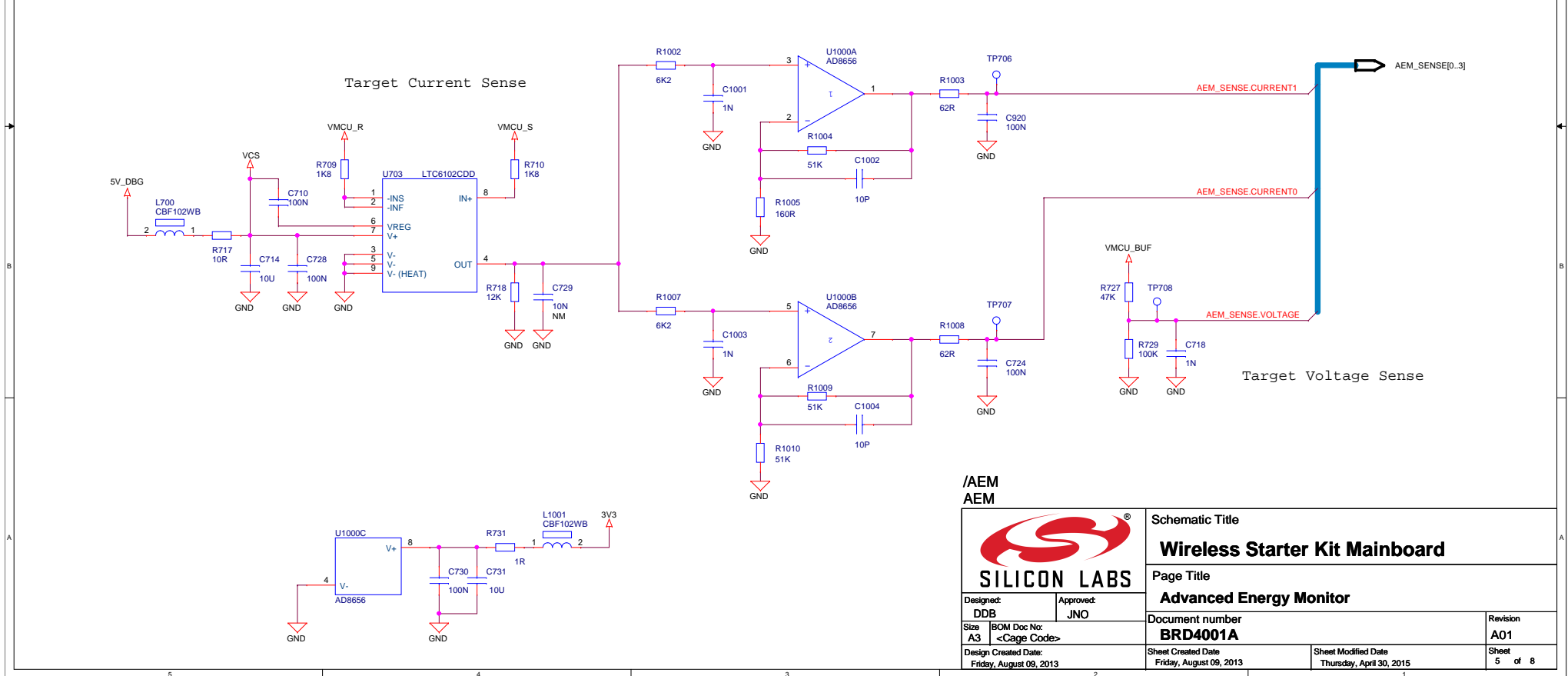
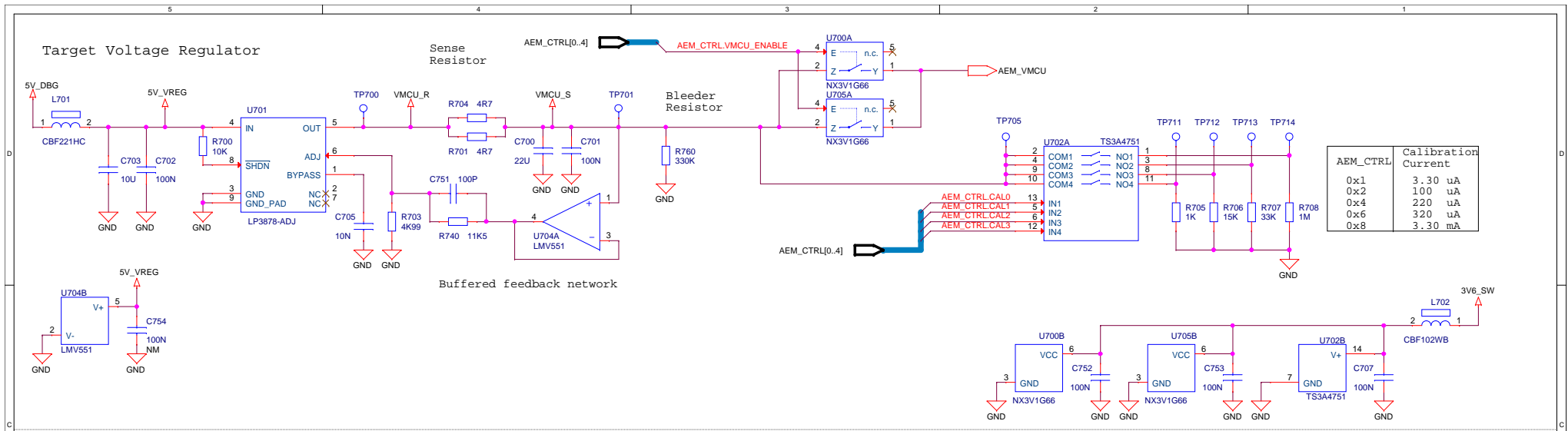


Relative Humidity & Temperature Sensor



Radio & User Interface

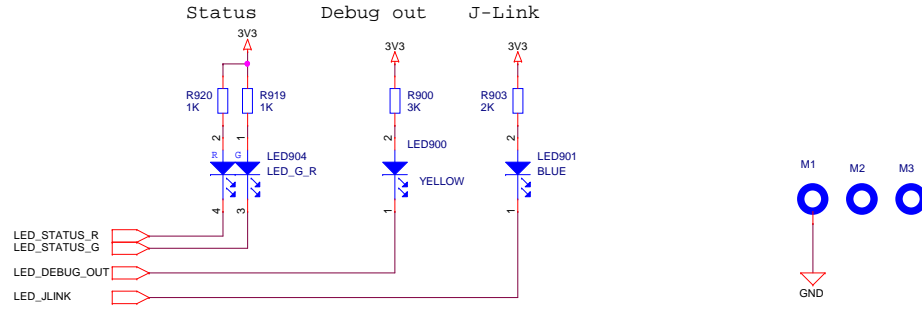
		Schematic Title	
		Wireless Starter Kit Mainboard	
Designed: DDB Size: A3 Design Created Date: Wednesday, December 03, 2008		Page Title	
		Radio Board Interface	
Approved: JNO Sheet Created Date: Wednesday, August 28, 2013		Document number	
		BRD4001A	
Sheet Modified Date: Thursday, April 30, 2015		Revision	
Sheet 4 of 8		A01	



/AEM
AEM

		Schematic Title	
		Wireless Starter Kit Mainboard	
Designed: DDB Size: A3 Design Created Date: Friday, August 09, 2013		Page Title	
		Advanced Energy Monitor	
Approved: JNO BOM Doc No: <Cage Code>		Document number	
		BRD4001A	
Sheet Created Date: Friday, August 09, 2013		Sheet Modified Date: Thursday, April 30, 2015	Revision: A01
		Sheet 5 of 8	

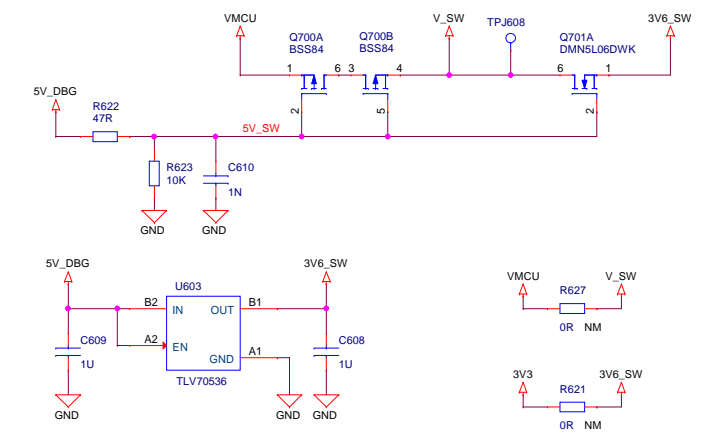
Indicators:



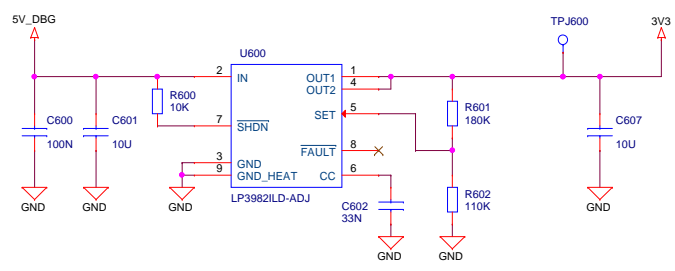
Power Supply for Analog Switches

Analog switches used for isolation are powered by 3V6_SW when the USB cable is connected, otherwise by VMCU.

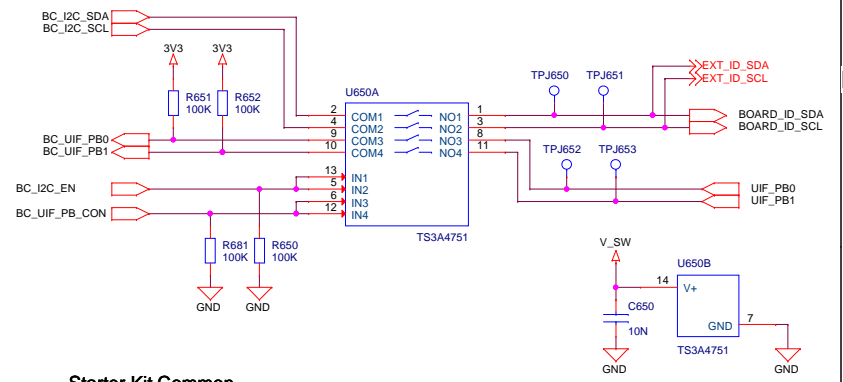
J-Link USB Cable	PMOS State	NMOS State	V_SW	VMCU_SENSE
Connected	Off	ON	3.6V	VMCU
Disconnected	ON	OFF	VMCU	Isolated



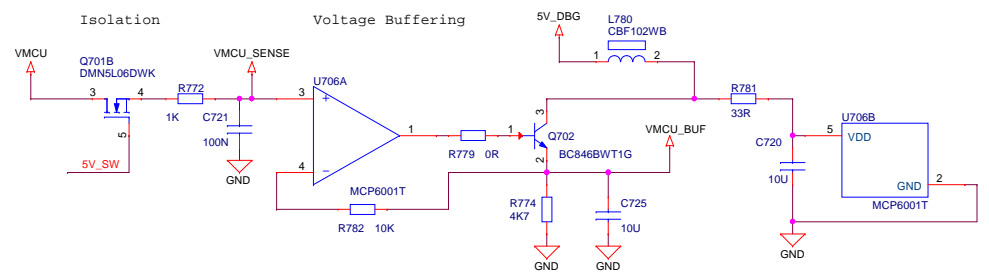
3V3 Regulator



I2C & Push Button <-> Board Controller Isolation

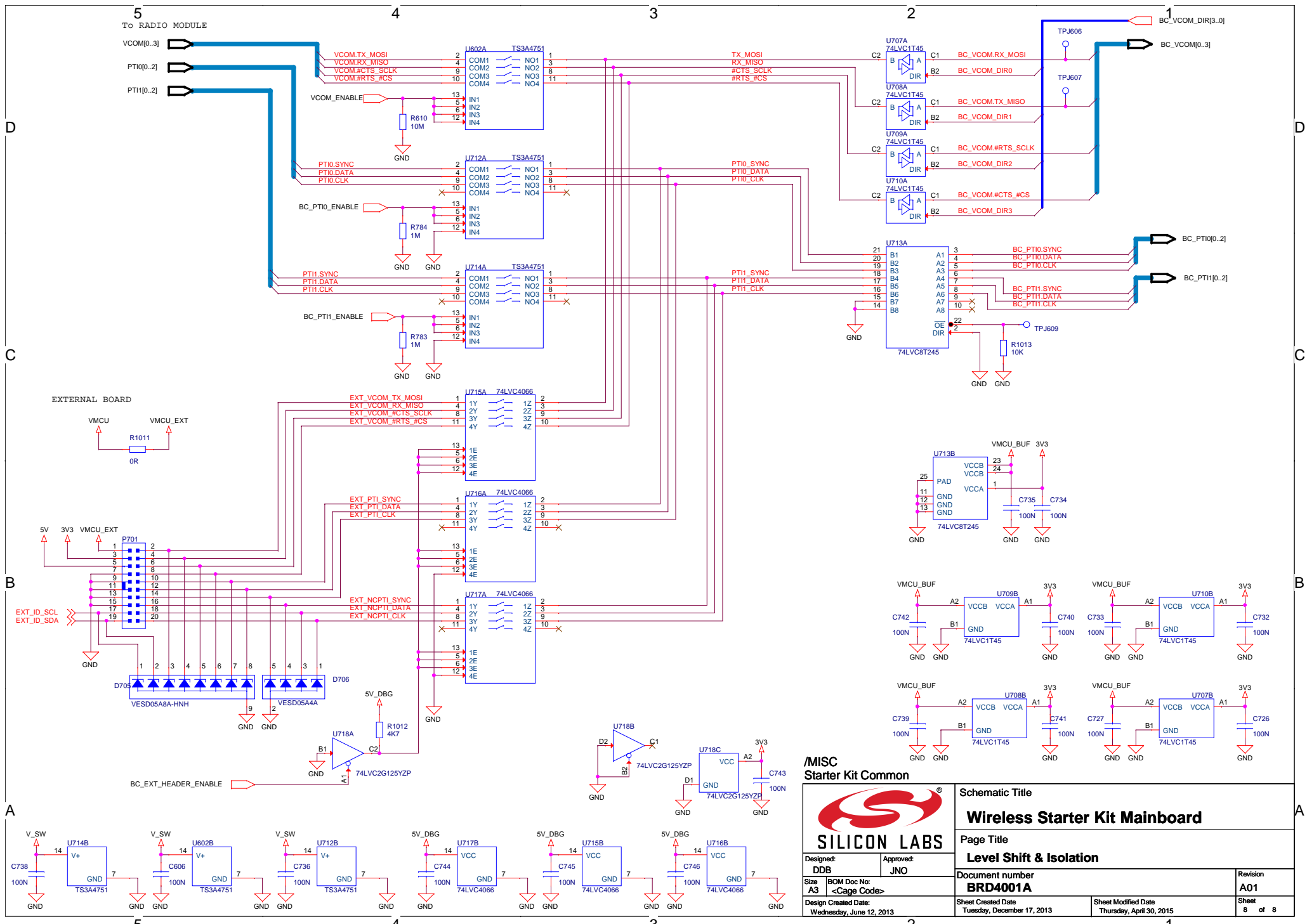


VMCU Voltage Mirror



Starter Kit Common

		Schematic Title	
		Wireless Starter Kit Mainboard	
Designed: DDB Approved: JNO		Page Title	
		Voltage Regulators	
Size A3	BOM Doc No: <Cage Code>	Document number	Revision
Design Created Date: Wednesday, June 12, 2013		BRD4001A	A01
	Sheet Created Date: Tuesday, June 18, 2013	Sheet Modified Date: Thursday, April 30, 2015	Sheet 7 of 8



/MISC
Starter Kit Common

		Schematic Title	
		Wireless Starter Kit Mainboard	
Designed: DDB Approved: JNO		Page Title	
		Level Shift & Isolation	
Size A3	BOM Doc No: <Cage Code>	Document number BRD4001A	Revision A01
Design Created Date: Wednesday, June 12, 2013	Sheet Created Date Tuesday, December 17, 2013	Sheet Modified Date Thursday, April 30, 2015	Sheet 8 of 8