



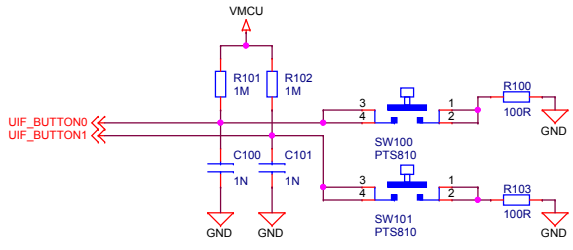
EFM32 Giant Gecko 11 STK	
Board Function	Page
Title Page	1
User Interface	2
EFM32 Signal Assignments 1	3
EFM32 Signal Assignments 2	4
External memory	5
Ethernet	6
EFM32 Power & USB	7
EFM32 I/O	8
Microphones	9
Sensors	10
Advanced Energy Monitor Sense	11
Advanced Energy Monitor Gain	12
Debug Interface	13
Power & Misc	14
Board Controller MCU	15
Board Controller Misc	16

Revision History	
Rev.	Description
B00	Production release.

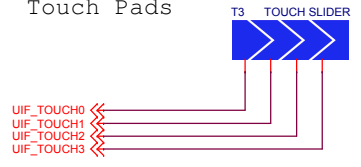


/ EFM32GG11 STK			
<p>SILICON LABS</p>		Schematic Title	
		EFM32 Giant Gecko 11 Starter Kit	
Designed: HEL Approved: JNO		Page Title	
		Title Page	
Size: A3	BOM Doc No: <Cage Code>	Document number	Revision
Design Created Date: Wednesday, December 03, 2008		BRD2204A	B00
	Sheet Created Date: Saturday, March 21, 2009	Sheet Modified Date: Tuesday, April 18, 2017	Sheet 1 of 16

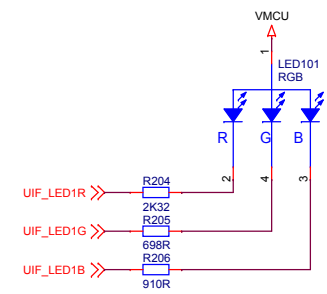
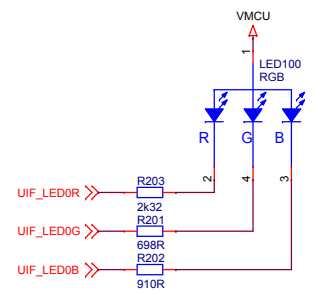
User Pushbuttons



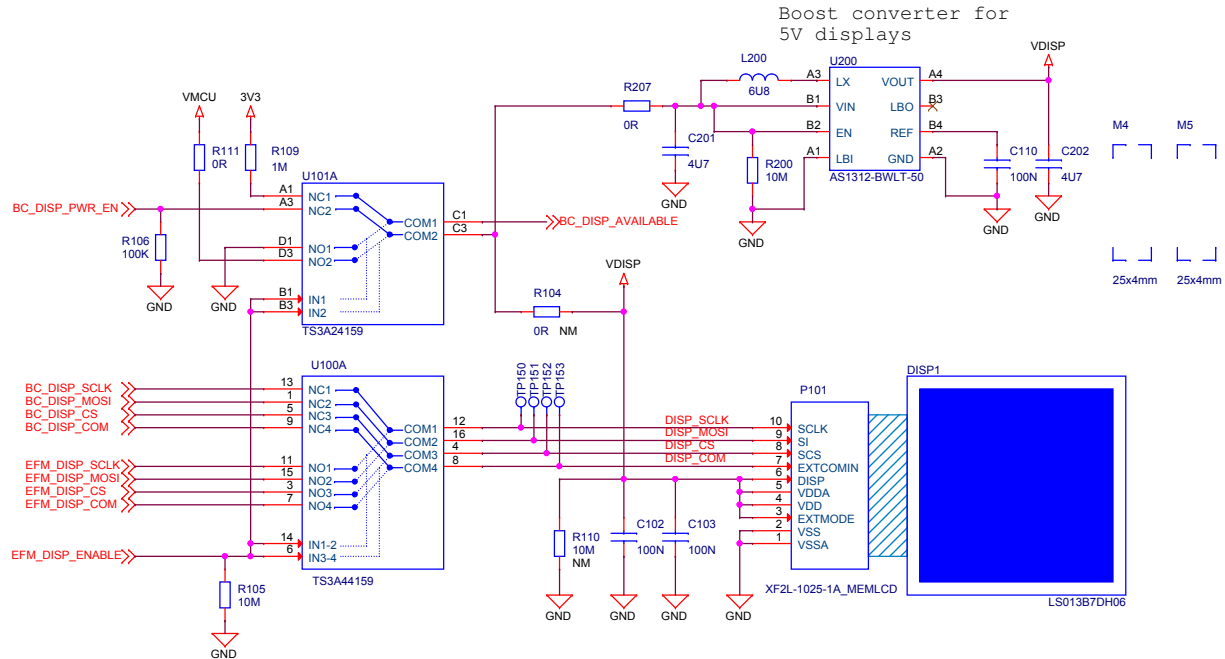
Touch Pads



User LEDs



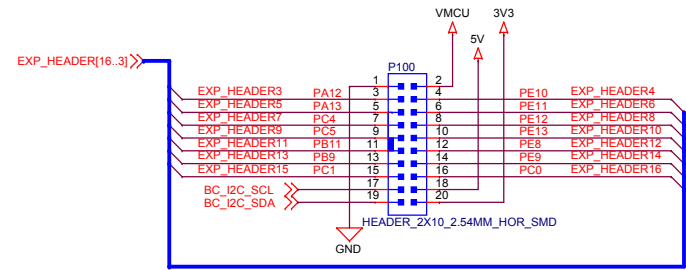
Memory LCD-TFT Display & Multiplexer



EFM_DISP_ENABLE	DISP_CTRL	VDISP	BC_DISP_AVAILABLE
1	EFM	VMCU	0
0	BC	BC_DISP_PWR_EN	1

The EFM32 always controls ownership of the display using the EFM_DISP_ENABLE signal.

EXP Header



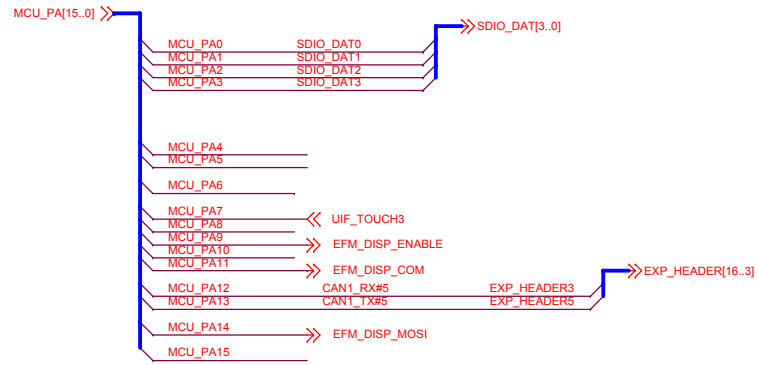
EXP-Header Functionality

1	GND		
3	PA12	CAN1_RX #5	PCNT1_S0IN #5
5	PA13	CAN1_TX #5	PCNT1_S1IN #5
7	PC4	I2C1_SDA #0	SDIO_CD #1
9	PC5	I2C1_SCL #0	SDIO_WP #1
11	PB11	DAC0_OUT0	
13	PB9		
15	PC1	I2C0_SCL #4	CAN0_TX #0
17		Reserved for EXP Board Identification	
19		Reserved for EXP Board Identification	
2	VMCU		
4	PE10	US0_TX #0	SDIO_DAT1 #0
6	PE11	US0_RX #0	SDIO_DAT0 #0
8	PE12	US0_CLK #0	SDIO_CMD #0
10	PE13	US0_CS #0	SDIO_CLK #0
12	PE8	US5_TX #0	SDIO_DAT3 #0
14	PE9	US5_RX #0	SDIO_DAT2 #0
16	PC0	I2C0_SDA #4	CAN0_RX #0
18	5V		
20	3V3		

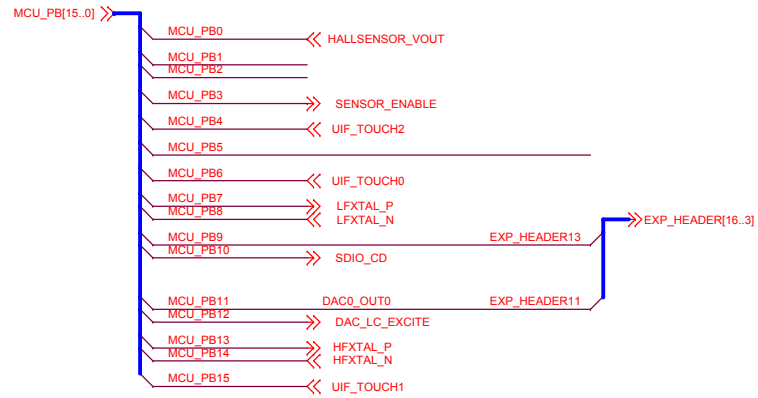
EFM32GG11 STK

		Schematic Title	
		EFM32 Giant Gecko 11 Starter Kit	
Designed: HEL Approved: JNO		Page Title	
		User Interfaces	
Size: A3	BOM Doc No:	Document number	Revision
Design Created Date: Wednesday, December 03, 2008		BRD2204A	B00
Sheet Created Date: Friday, October 31, 2014		Sheet Modified Date: Tuesday, April 18, 2017	Sheet 2 of 16

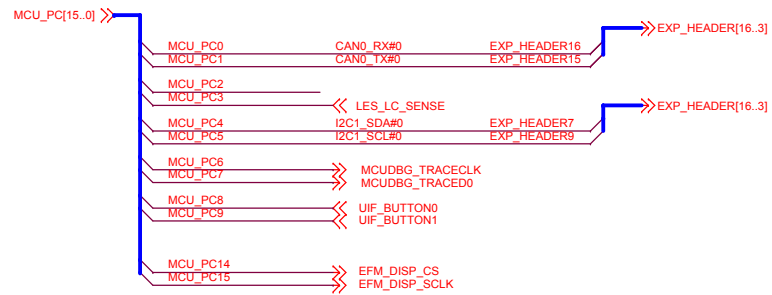
PA Connections



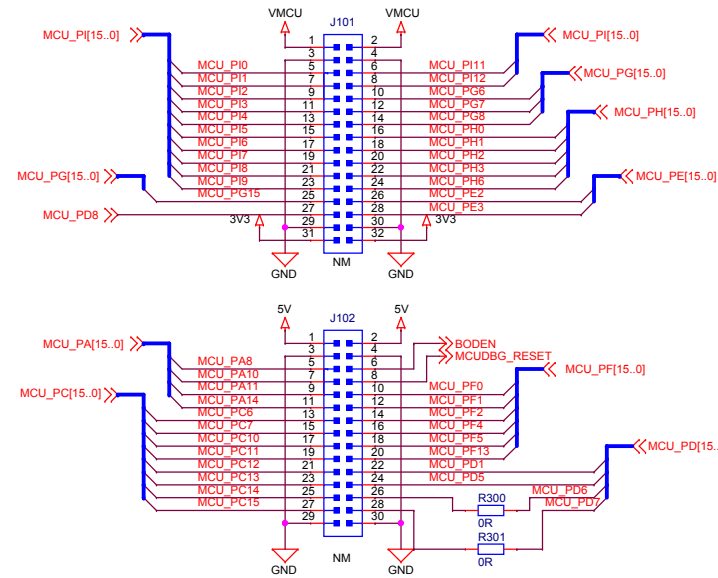
PB Connections



PC Connections



Breakout Connections



Breakout header labels:

VMCU	VMCU
GND	GND
I0	I11
I1	I12
I2	G6
I3	G7
I4	G8
I5	H0
I6	H1
I7	H2
I8	H3
I9	H6
G15	E2
D8	E3
GND	GND
3V3	3V3

5V	5V
GND	GND
A8	BDEN
A10	RST
A11	F0
A14	F1
C6	F2
C7	F4
C10	F5
C11	F13
C12	D1
C13	D5
C14	D6
C15	D7
GND	GND



Schematic Title

EFM32 Giant Gecko 11 Starter Kit

Page Title

EFM32 Signal Assignments

Designed:
HEL

Approved:
JNO

Size: A3
BOM Doc No:
<Cage Code>

Document number
BRD2204A

Revision
B00

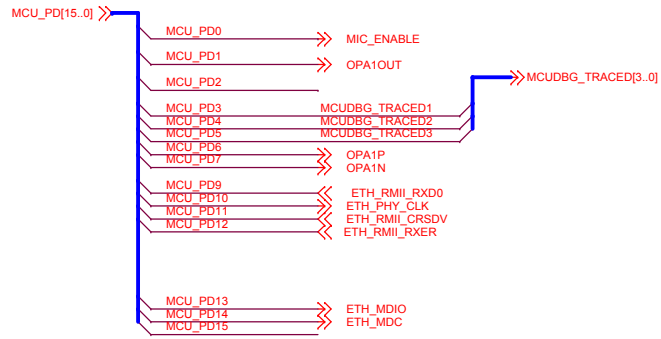
Design Created Date:
Wednesday, December 03, 2008

Sheet Created Date
Friday, October 31, 2014

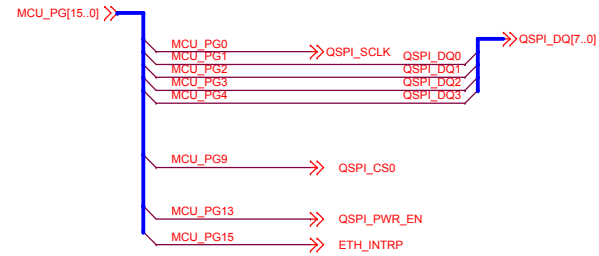
Sheet Modified Date
Tuesday, April 18, 2017

Sheet
3 of 16

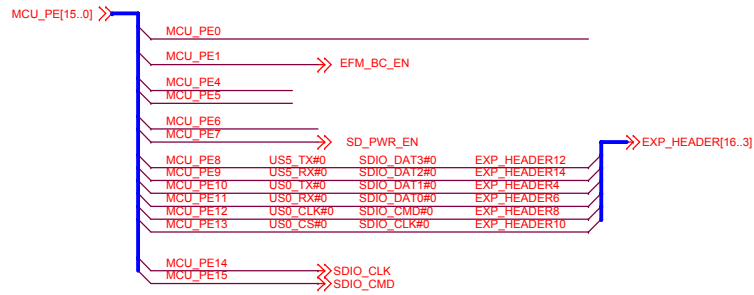
PD Connections



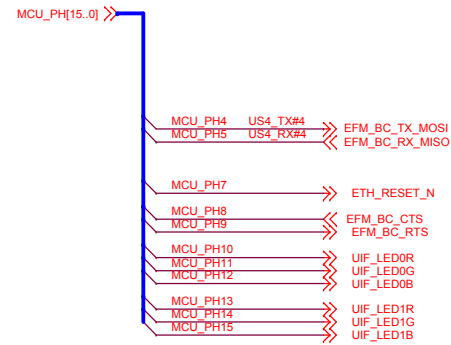
PG Connections



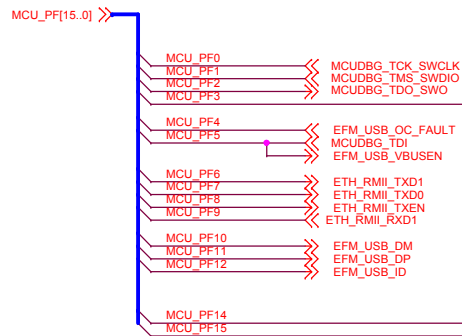
PE Connections



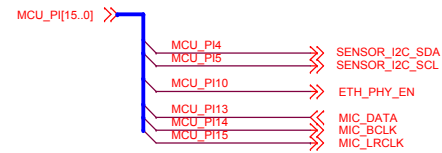
PH Connections



PF Connections



PI Connections



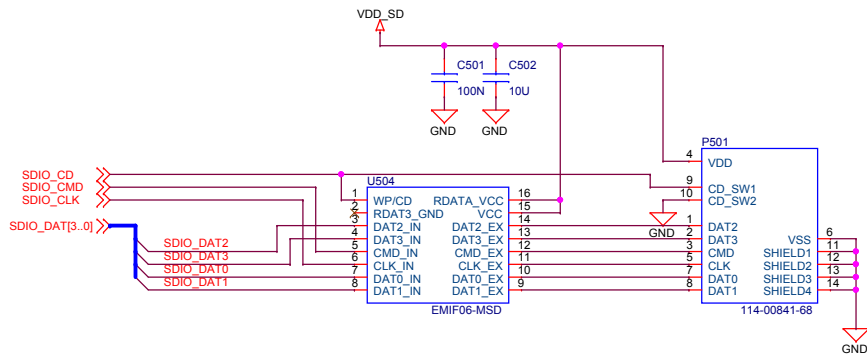
Schematic Title
EFM32 Giant Gecko 11 Starter Kit

Page Title
EFM32 Signal Assignments

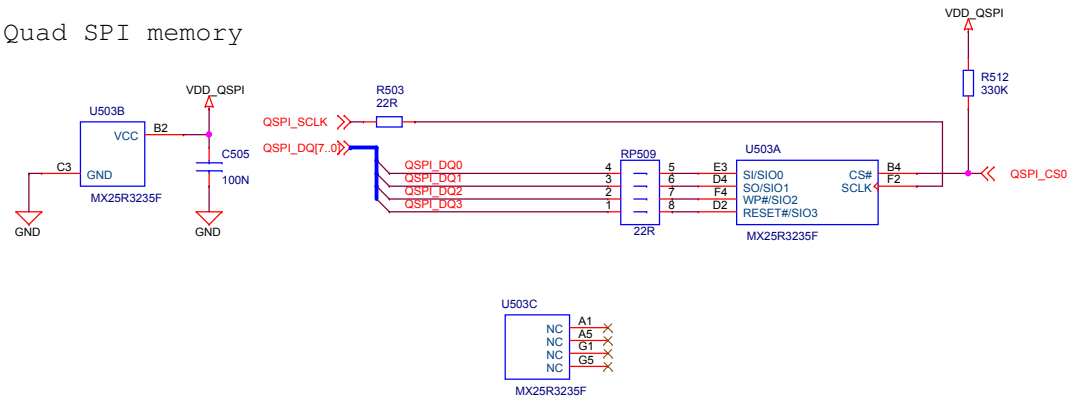
Designed: HEL	Approved: JNO	Document number BRD2204A	Revision B00
Size A3	BOM Doc No: <Cage Code>	Sheet Created Date Friday, October 21, 2016	Sheet Modified Date Tuesday, April 18, 2017
Design Created Date: Wednesday, December 03, 2008		Sheet 4 of 16	

SDIO micro

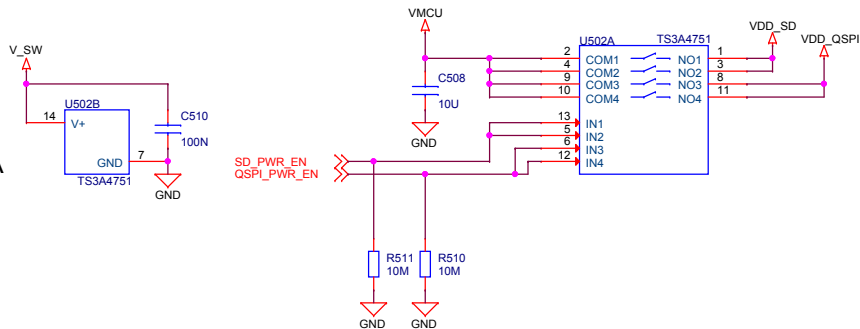
SDIO slot is connected to SDIO location #0




Quad SPI memory



External memory power switch

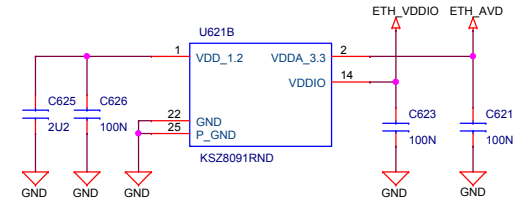
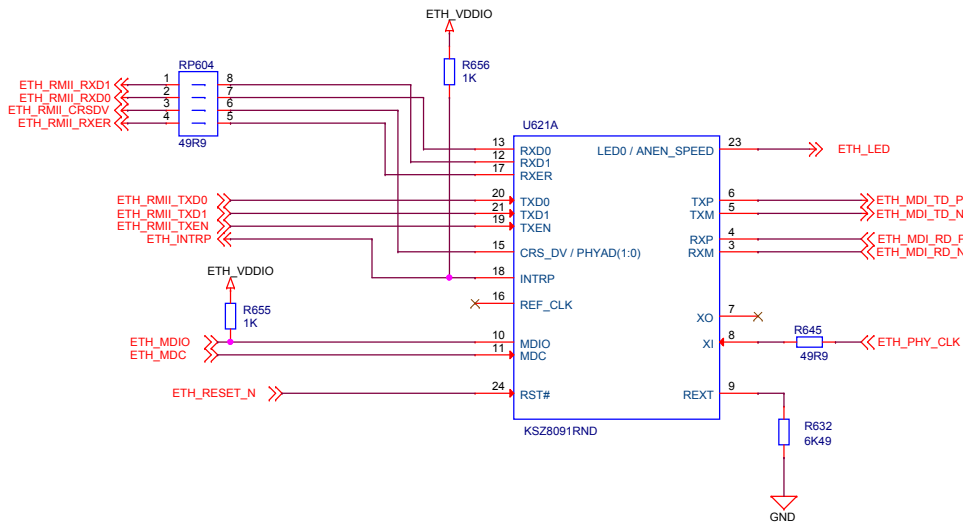


EFM32GG11 STK

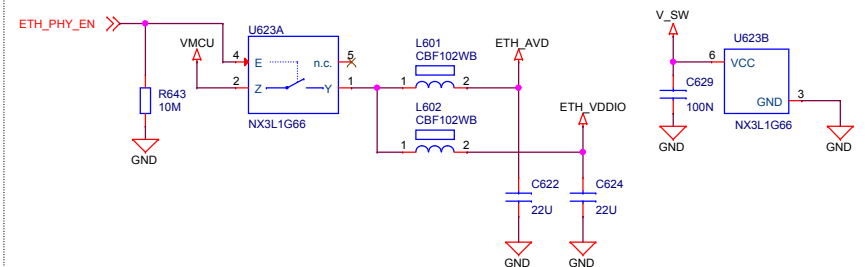
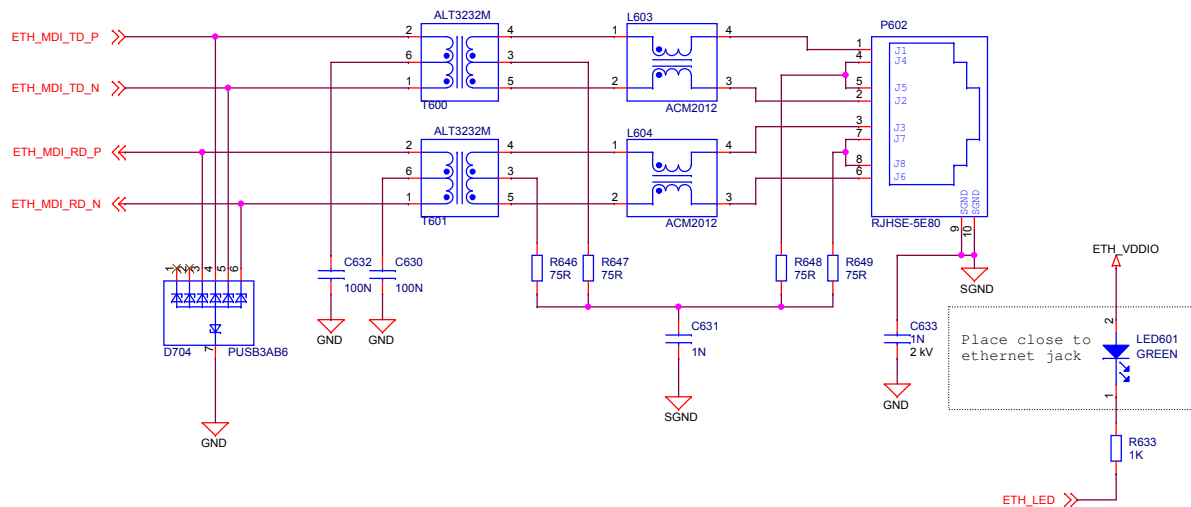
 SILICON LABS		Schematic Title	
		EFM32 Giant Gecko 11 Starter Kit	
Designed: HEL Approved: JNO		Page Title	
		External memory interfaces	
Size A3	BOM Doc No:	Document number	Revision
		BRD2204A	B00
Design Created Date: Wednesday, December 03, 2008	Sheet Created Date Monday, October 24, 2016	Sheet Modified Date Tuesday, April 18, 2017	Sheet 5 of 16

Ethernet PHY


ETH RMIi is connected to EFM32 Ethernet location #1



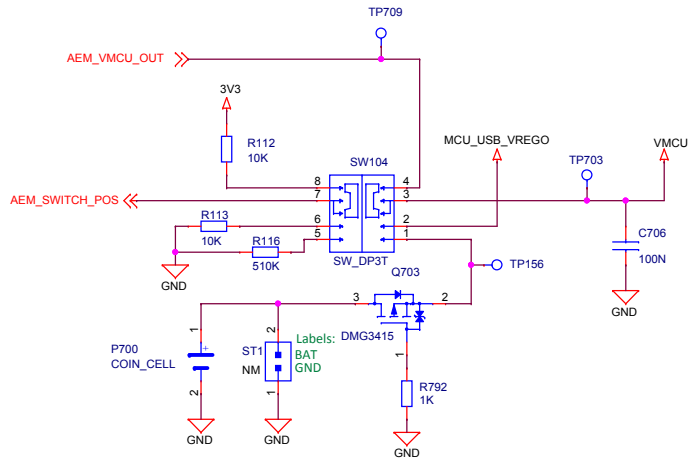
Ethernet jack



EFM32GG11 STK

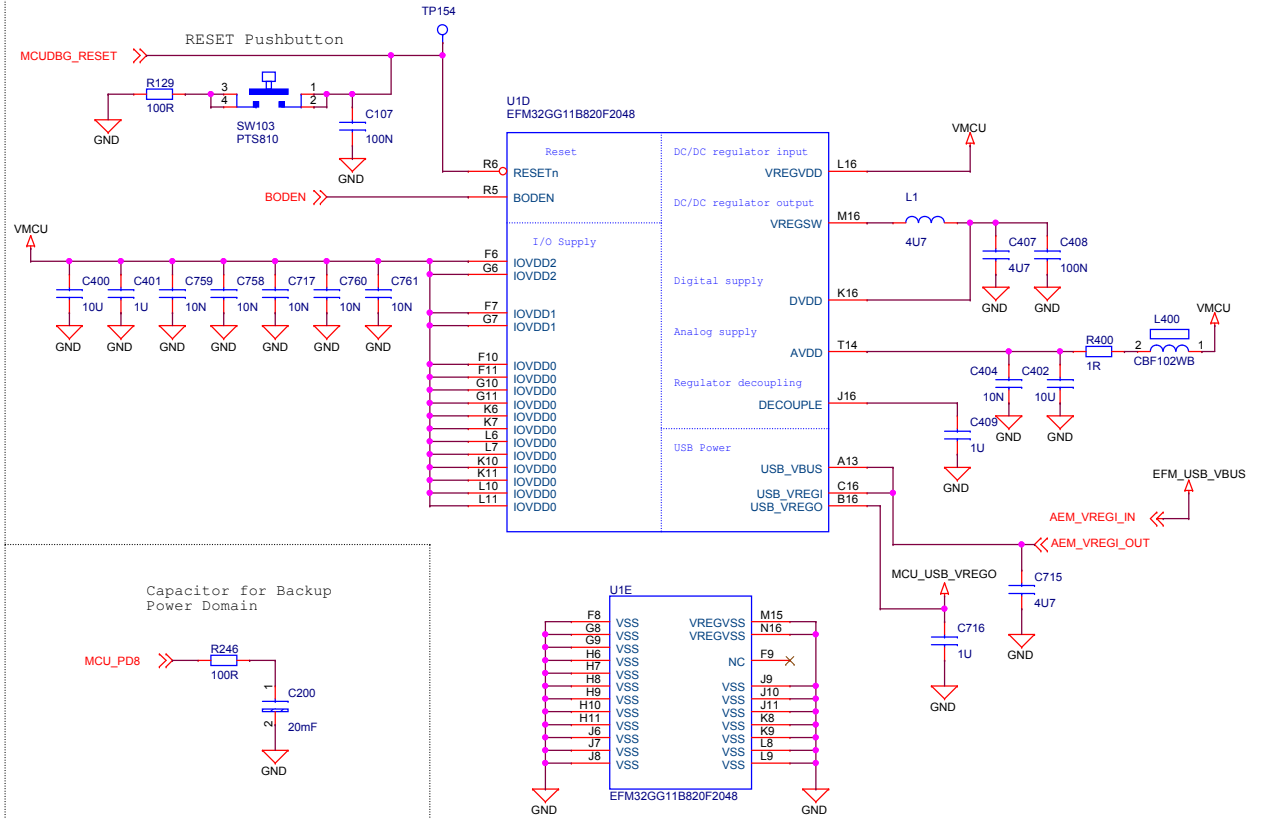
 SILICON LABS		Schematic Title	
		EFM32 Giant Gecko 11 Starter Kit	
Designed: HEL Approved: JNO Size: A3 BOM Doc No:		Page Title	
		Ethernet PHY	
Design Created Date: Wednesday, December 03, 2008		Document number BRD2204A	
Sheet Created Date Tuesday, October 25, 2016		Revision B00	
Sheet Modified Date Tuesday, April 18, 2017		Sheet 6 of 16	

Power Select Switch: AEM/USB/BAT

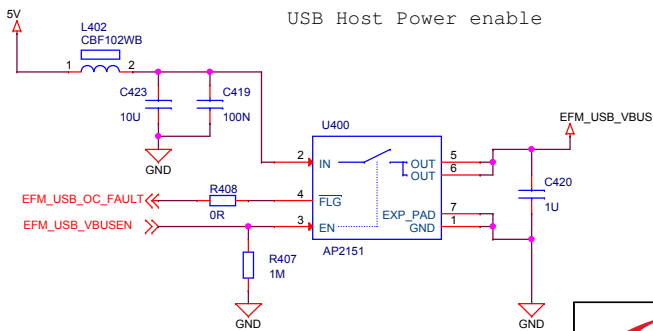
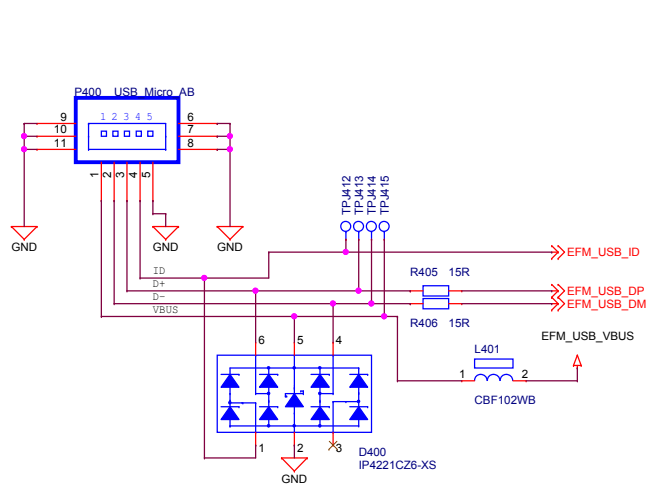


SWITCH POS	MODE DESCRIPTION
AEM	AEM Enabled, VMCU sourced from external 3.3V LDO powered by BC USB 5V supply
USB	AEM Enabled, VMCU sourced from internal 3.3V LDO powered by MCU USB 5V supply
BAT	AEM Disabled, VMCU sourced from coin-cell battery or external power supply

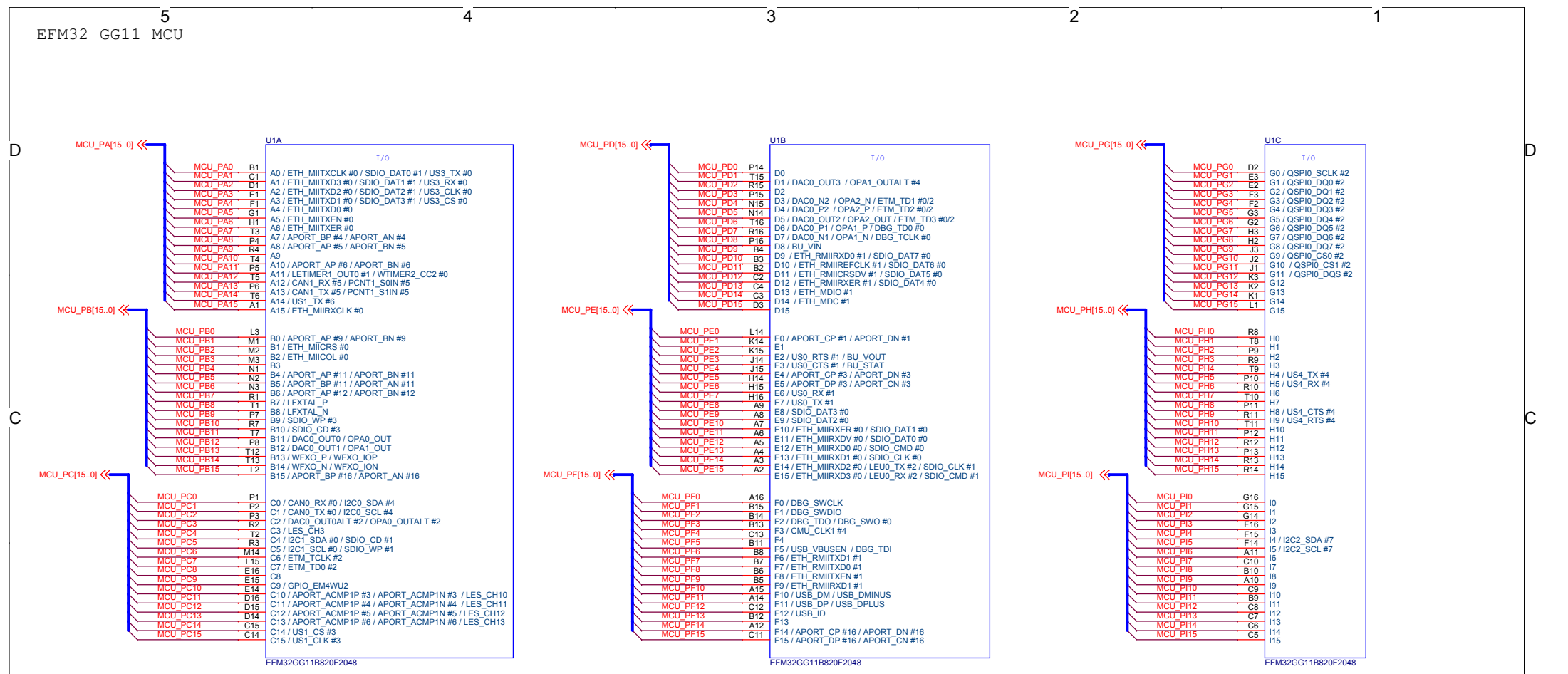
EFM32 Power and Decoupling



USB Connection and ESD protection

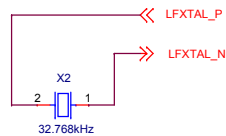
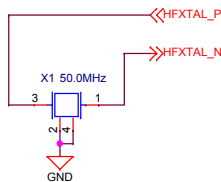


		Schematic Title	
		EFM32 Giant Gecko 11 Starter Kit	
Designed: HEL Approved: JNO		Page Title	
		EFM32 Power & USB	
Size: A3	BOM Doc No: <Cage Code>	Document number	Revision
Design Created Date: Wednesday, December 03, 2008		BRD2204A	B00
	Sheet Created Date: Friday, October 31, 2014	Sheet Modified Date: Tuesday, April 18, 2017	Sheet 7 of 16



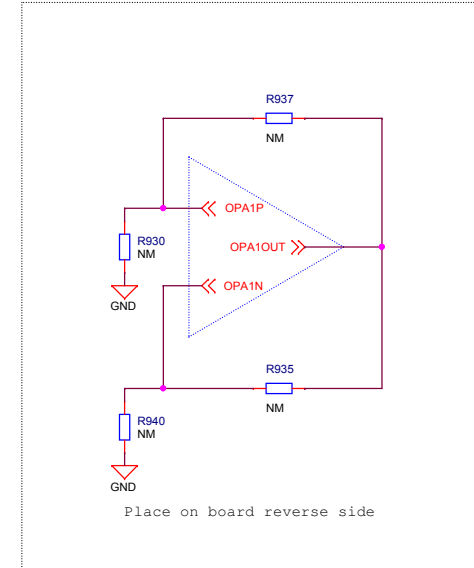
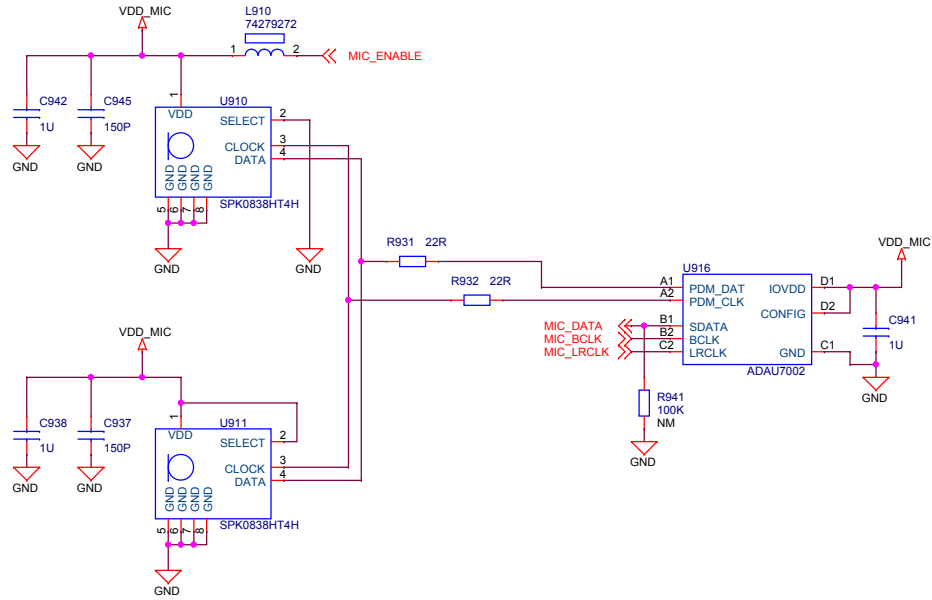
High Frequency Clock

Low Frequency Clock




		Schematic Title	
		EFM32 Giant Gecko 11 Starter Kit	
Designed: HEL Approved: JNO		Page Title	
		EFM32 I/O	
Size: A3	BOM Doc No: <Cage Code>	Document number	
Design Created Date: Wednesday, December 03, 2008		BRD2204A	
		Sheet Created Date: Monday, November 17, 2014	Sheet Modified Date: Tuesday, April 18, 2017
		Revision	Sheet 8 of 16
		B00	

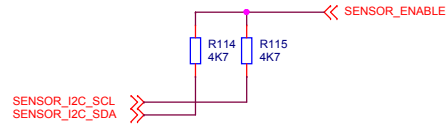
Stereo microphones



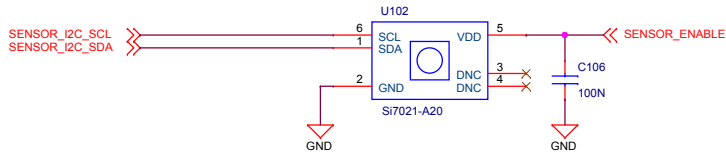
Place on board reverse side

 SILICON LABS		Schematic Title	
		EFM32 Giant Gecko 11 Starter Kit	
Designed: HEL Approved: JNO		Page Title	
		Stereo Microphones	
Size: A3	BOM Doc No: <Cage Code>	Document number	Revision
		BRD2204A	B00
Design Created Date: Wednesday, December 03, 2008	Sheet Created Date: Monday, October 31, 2016	Sheet Modified Date: Tuesday, April 18, 2017	Sheet 9 of 16

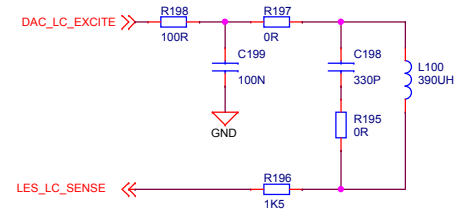
I2C Sensor pull-ups



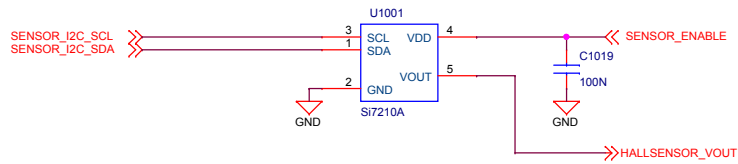
Relative Humidity & Temperature Sensor




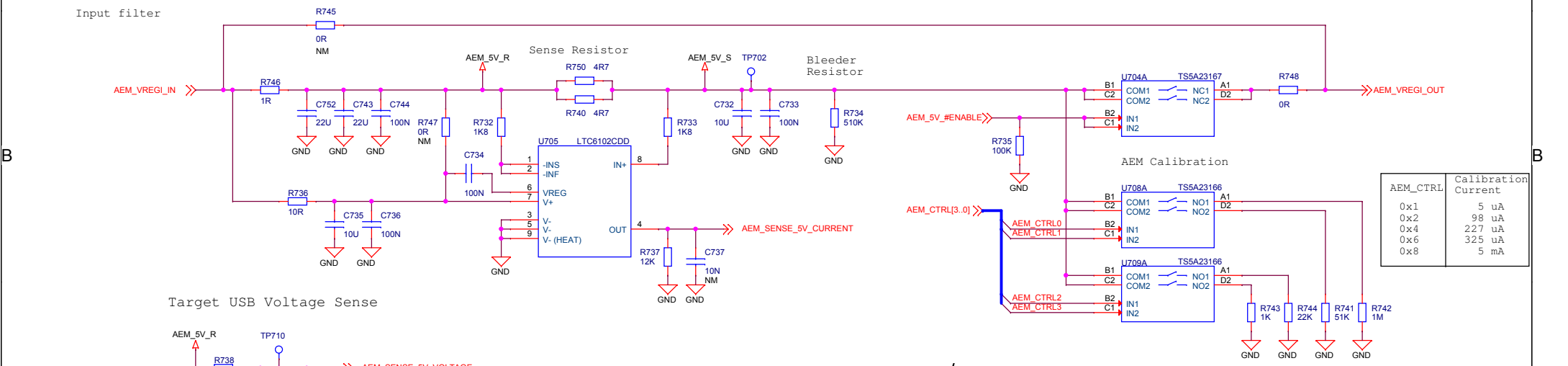
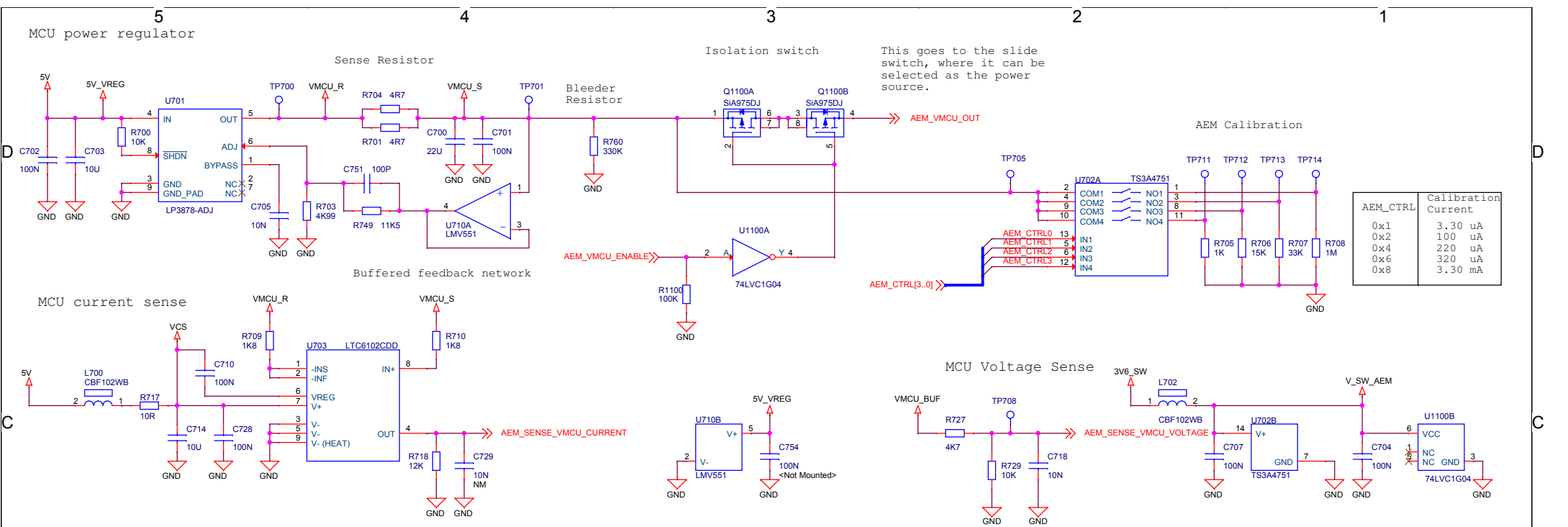
LESENSE LC-Sensor



Hall-effect sensor



 SILICON LABS		Schematic Title	
		EFM32 Giant Gecko 11 Starter Kit	
Designed: HEL Approved: JNO		Page Title	
		Sensors	
Size: A3	BOM Doc No: <Cage Code>	Document number	Revision
Design Created Date: Wednesday, December 03, 2008		BRD2204A	B00
	Sheet Created Date: Monday, November 14, 2016	Sheet Modified Date: Tuesday, April 18, 2017	Sheet 10 of 16



*Bypass: remove R736 & R746 and add R745 to bypass current sense and filters completely if required for USB compliance testing.

SILICON LABS

EFM32GG11 STK

Schematic Title
EFM32 Giant Gecko 11 Starter Kit

Page Title
Advanced Energy Monitor - Current Sense

Designed: DDB Approved: JNO

Size: A3 BOM Doc No: <Cage Code>

Design Created Date: Wednesday, December 03, 2008

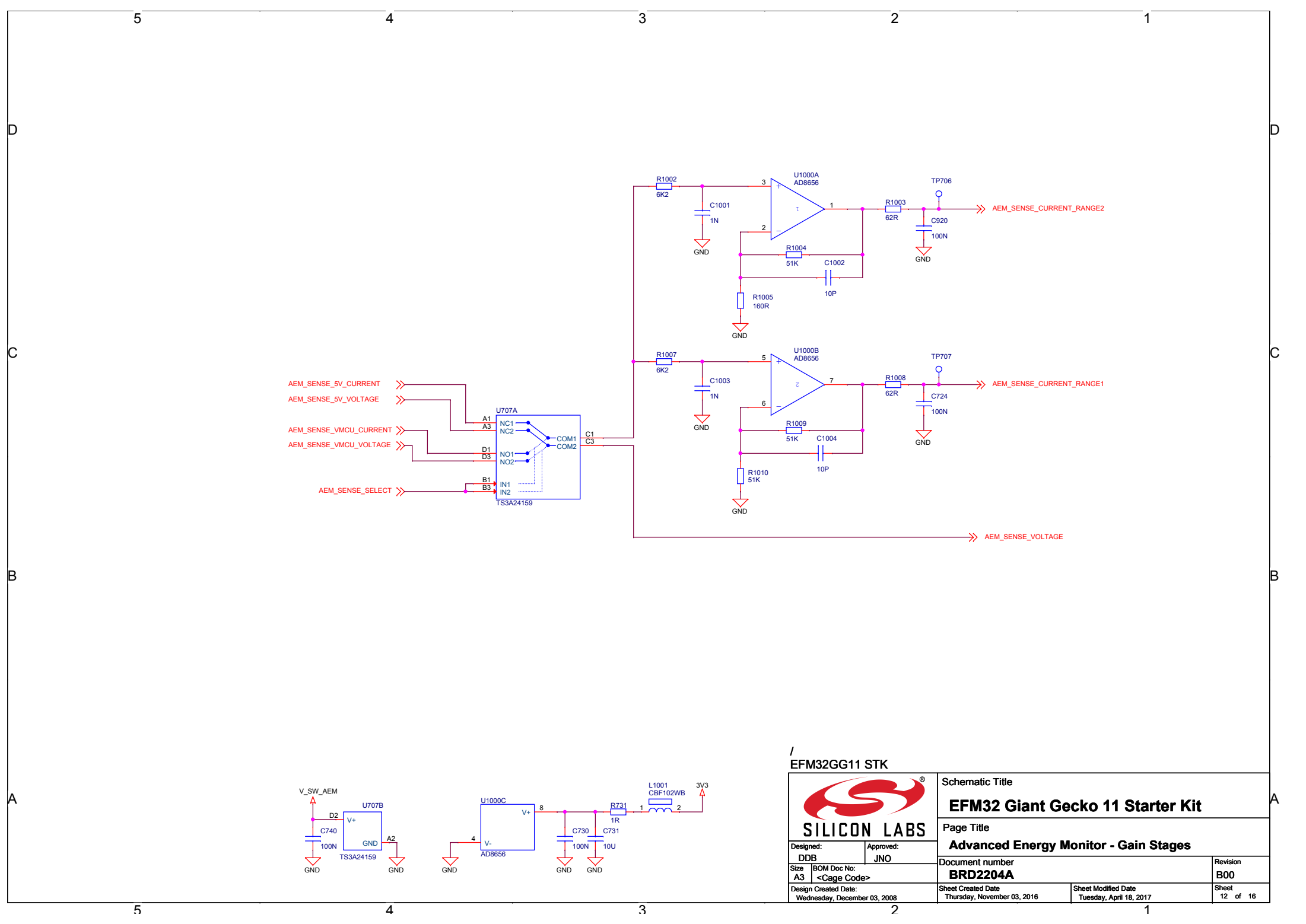
Document number
BRD2204A


Sheet Created Date: Thursday, November 03, 2016

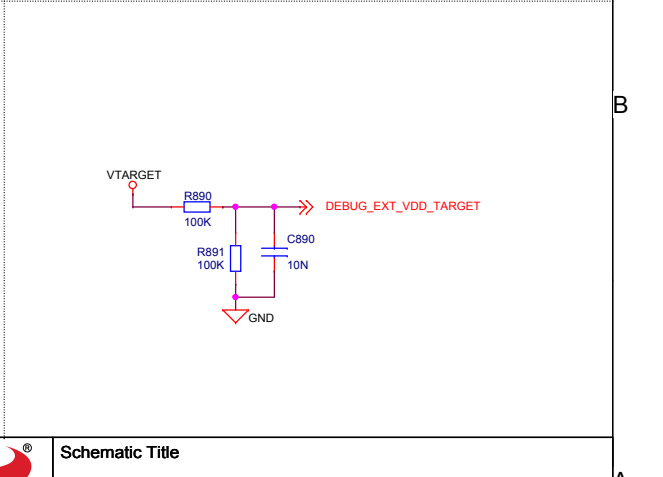
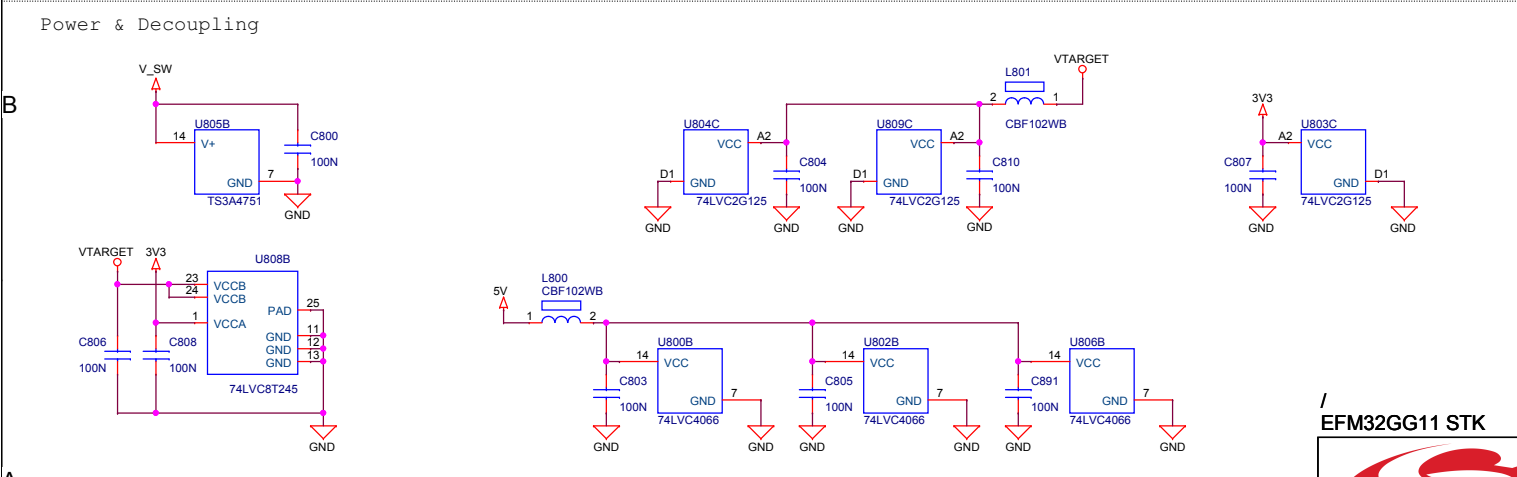
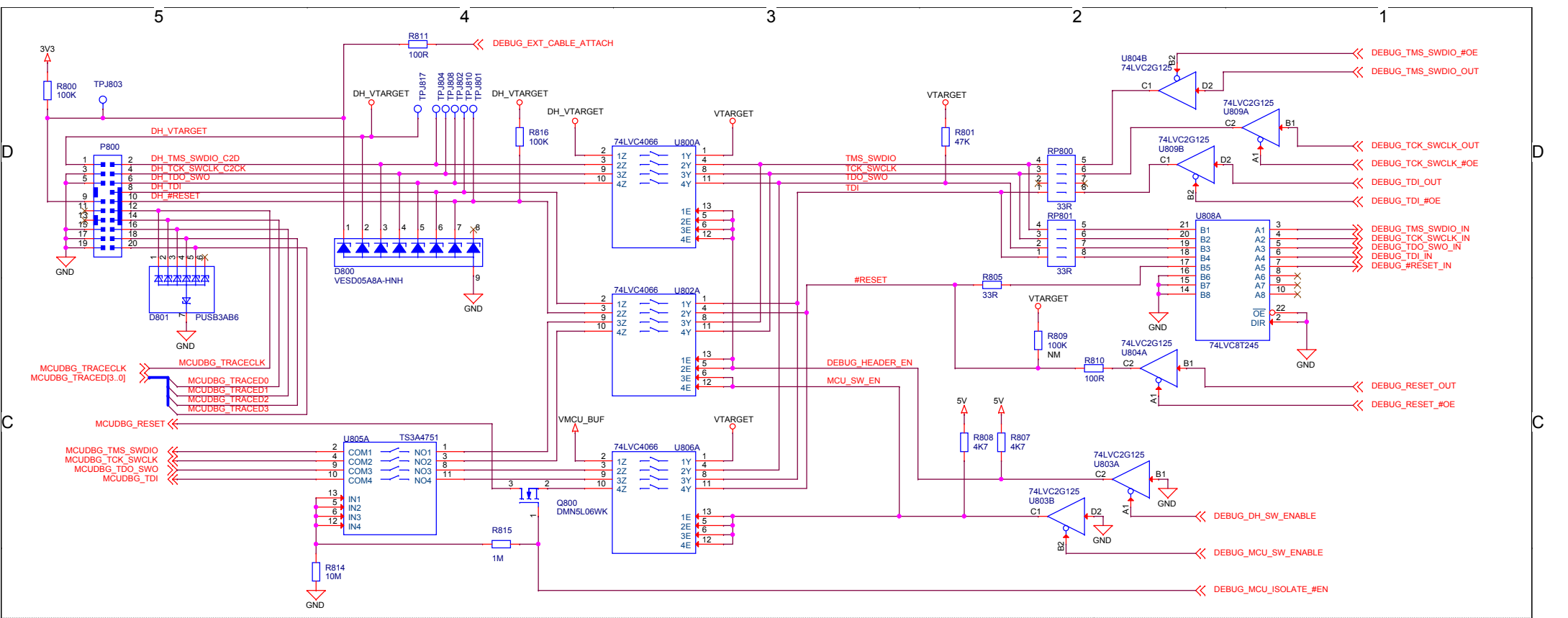
Sheet Modified Date: Tuesday, April 18, 2017

Revision
B00

Sheet 11 of 16



 SILICON LABS		Schematic Title	
		EFM32 Giant Gecko 11 Starter Kit	
Designed: DDB Approved: JNO		Page Title	
		Advanced Energy Monitor - Gain Stages	
Size: A3	BOM Doc No: <Cage Code>	Document number	Revision
		BRD2204A	B00
Design Created Date: Wednesday, December 03, 2008		Sheet Created Date: Thursday, November 03, 2016	Sheet Modified Date: Tuesday, April 18, 2017
			Sheet 12 of 16



Mode	DEBUG_MCU_SW_ENABLE	DEBUG_DH_SW_ENABLE	DEBUG_BUF_#OE	ISOLATE_#EN	DH_VTARGET	VTARGET
Debug Out	0	1	0	0	External voltage	External voltage
MCU Debug	1	0	0	1	Disconnected	VMCU
Debug In	1	1	1	1	VMCU	VMCU
Debug Off	1	1	1	0	-	-

EFM32GG11 STK

SILICON LABS

Schematic Title
EFM32 Giant Gecko 11 Starter Kit

Page Title
Debug Interface

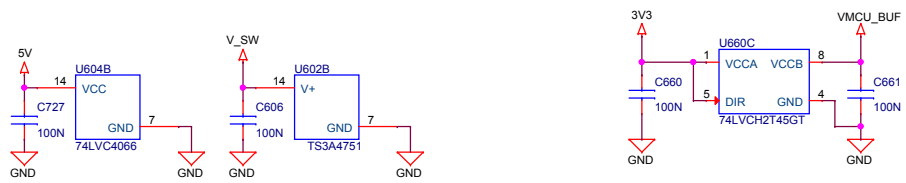
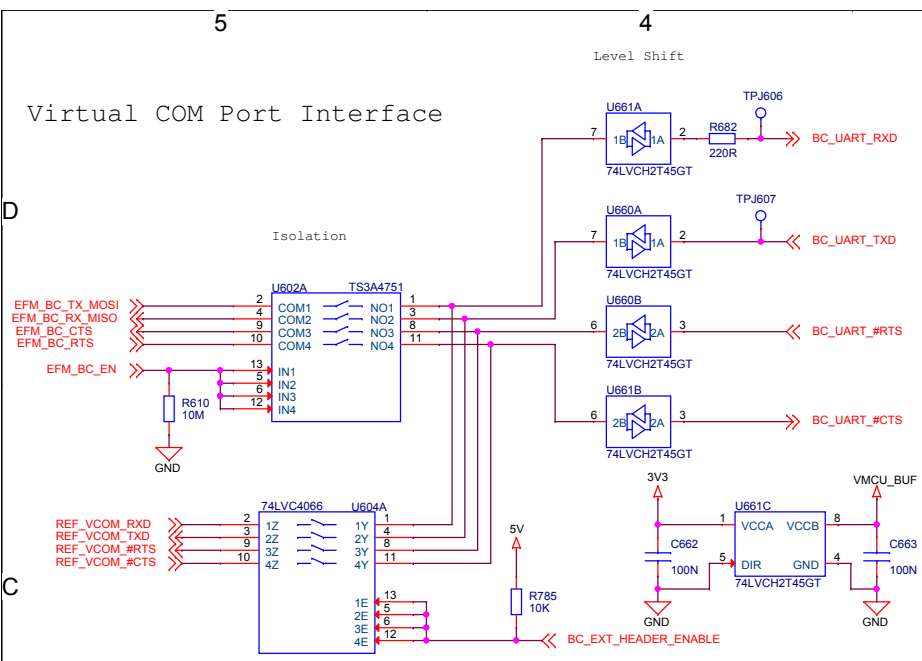
Designed: DDB | Approved: JNO
 Size: A3 | BOM Doc No: <Cage Code>
 Design Created Date: Wednesday, December 03, 2008

Document number
BRD2204A

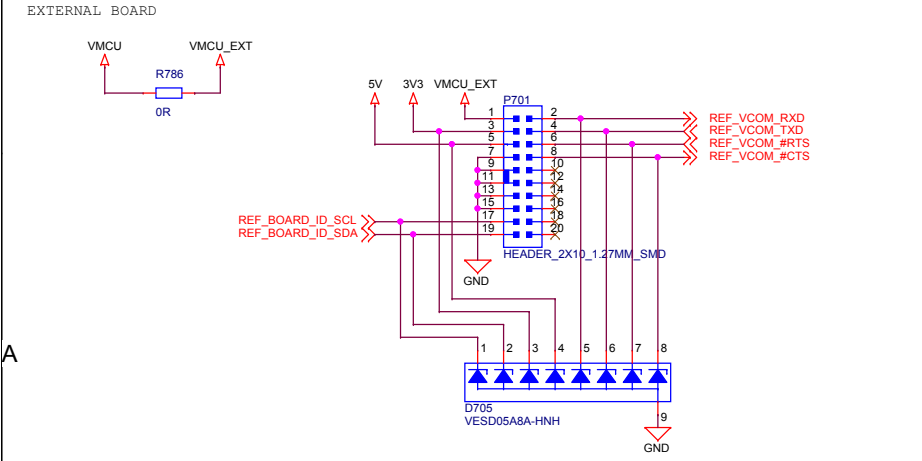
Revision
B00

Sheet Created Date: Thursday, November 03, 2016 | Sheet Modified Date: Tuesday, April 18, 2017 | Sheet 13 of 16

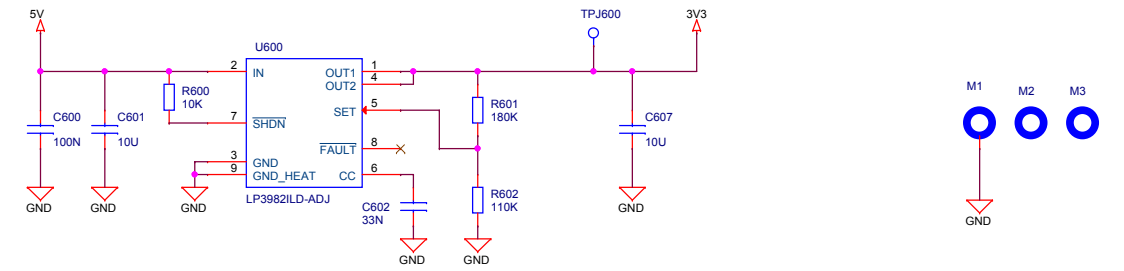
Virtual COM Port Interface



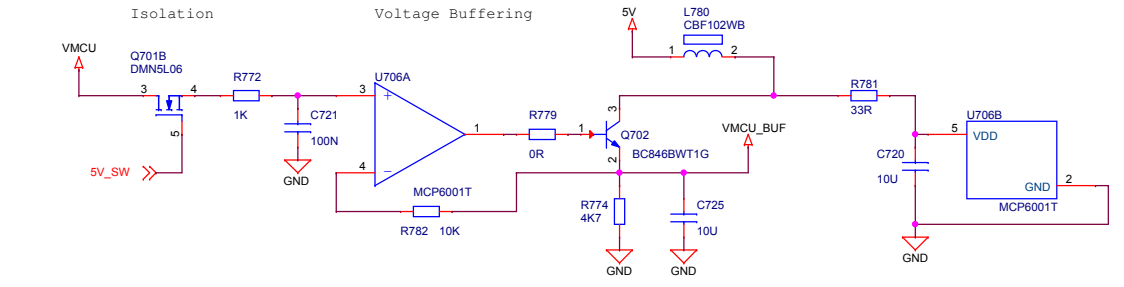
Connector for external reference designs boards



3V3 Regulator



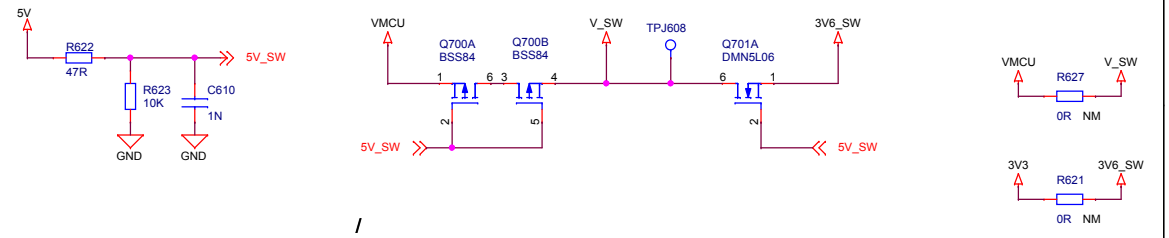
VMCU Voltage Mirror



Power Supply for Analog Switches

The USB VBUS voltage is used to bias these transistors, turning the P-Channel MOSFETs (Q700) off, and the N-Channel MOSFETs (Q701) on.

J-Link USB Cable	PMOS State	NMOS State	V_SW	VMCU_SENSE
Connected	Off	ON	3.6V	VMCU
Disconnected	ON	OFF	VMCU	Isolated



EFM32GG11 STK

SILICON LABS

Schematic Title
EFM32 Giant Gecko 11 Starter Kit

Page Title
Power & Misc

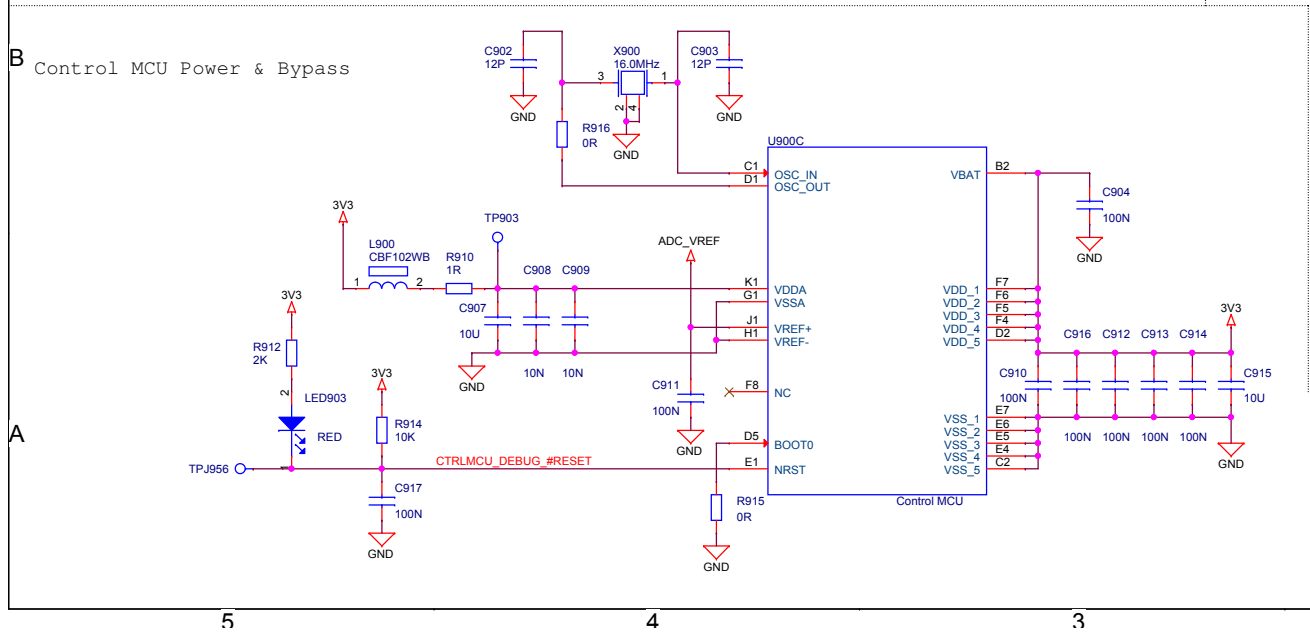
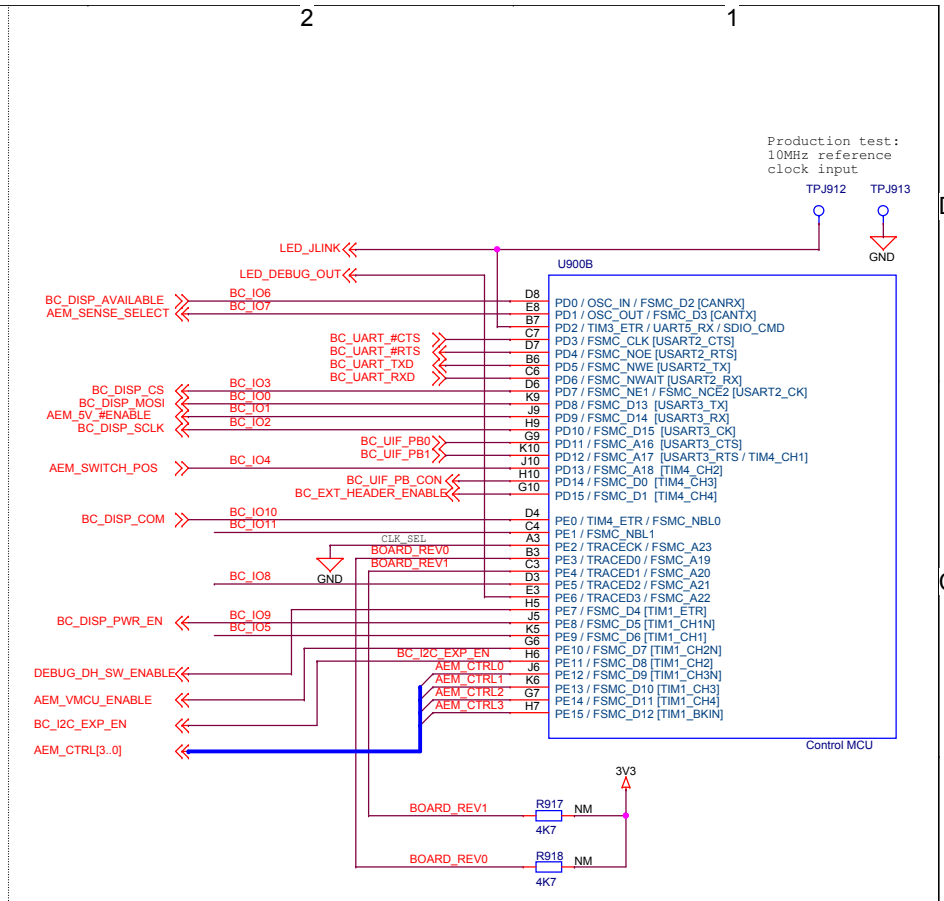
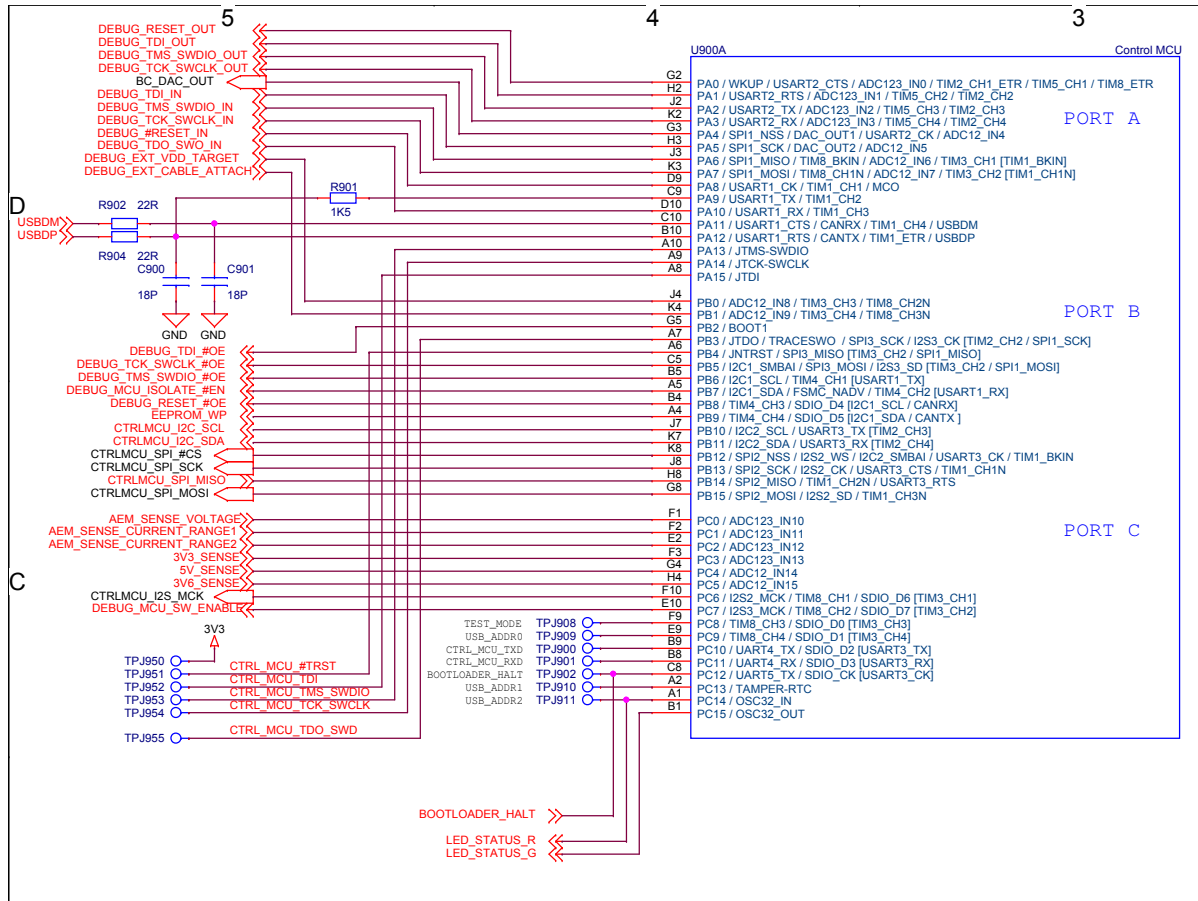
Document number
BRD2204A

Revision
B00

Design: DDB **Approved:** JNO

Size: A3 **BOM Doc No:** <Cage Code>

Design Created Date: Wednesday, December 03, 2008 **Sheet Created Date:** Thursday, November 03, 2016 **Sheet Modified Date:** Tuesday, April 18, 2017 **Sheet** 14 of 16



EFM32GG11 STK

Schematic Title
EFM32 Giant Gecko 11 Starter Kit

Page Title
Control MCU

Document number
BRD2204A

Design: ANB **Approved:** JNO

Size: A3 **BOM Doc No:** <Cage Code>

Design Created Date: Wednesday, December 03, 2008

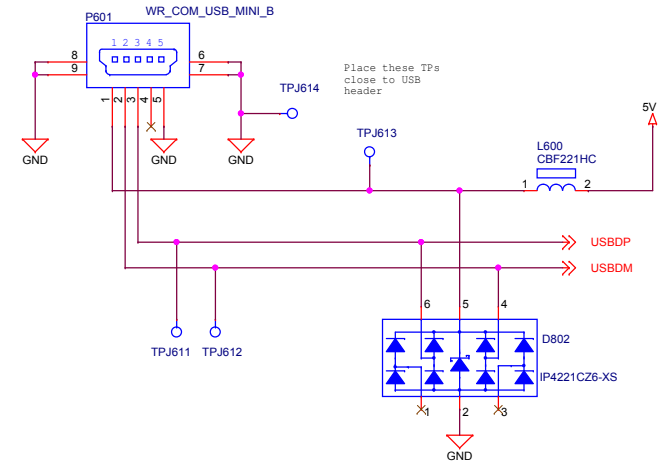
Sheet Created Date: Thursday, November 03, 2016

Sheet Modified Date: Tuesday, April 18, 2017

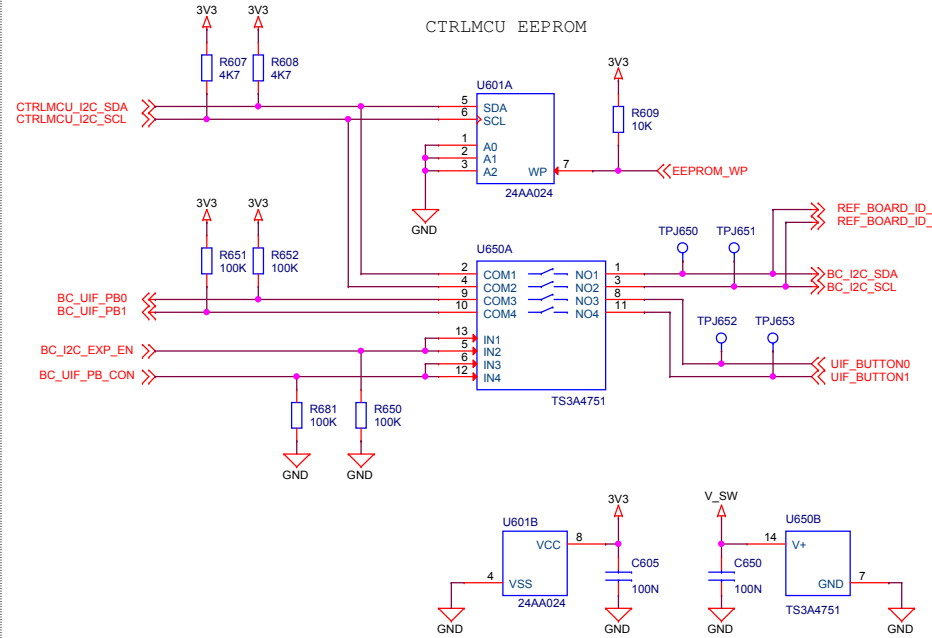
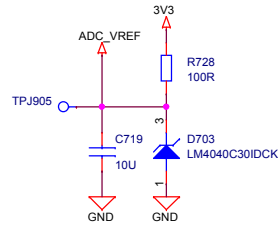
Revision
B00

Sheet
15 of 16

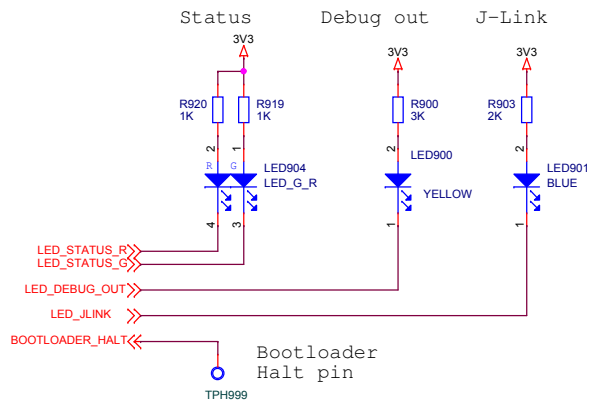
J-Link USB Port



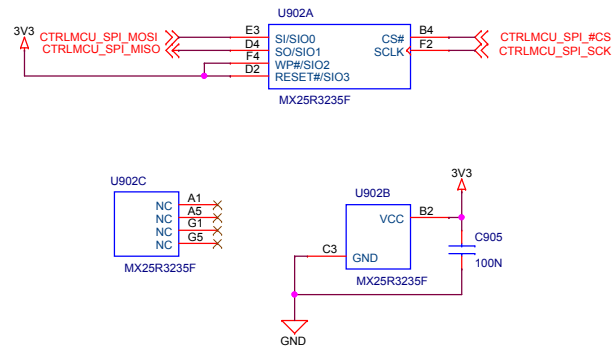
ADC reference voltage



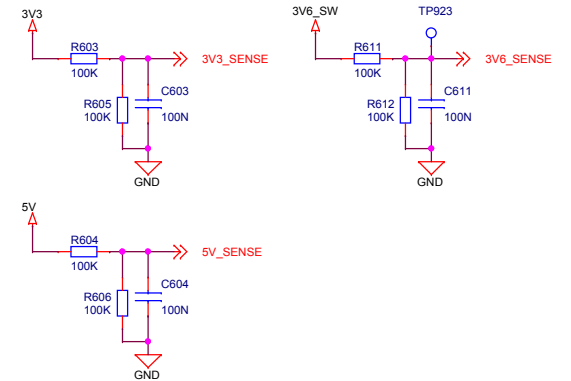
Indicators:



CTRLMCU SERIAL FLASH



POWER SENSE



EFM32GG11 STK

		Schematic Title	
		EFM32 Giant Gecko 11 Starter Kit	
Designed: ANB Approved: JNO		Page Title	
		Board Controller Misc	
Size: A3	BOM Doc No: <Cage Code>	Document number	Revision
Design Created Date: Wednesday, December 03, 2008		BRD2204A	B00
	Sheet Created Date: Thursday, November 03, 2016	Sheet Modified Date: Tuesday, April 18, 2017	Sheet 16 of 16