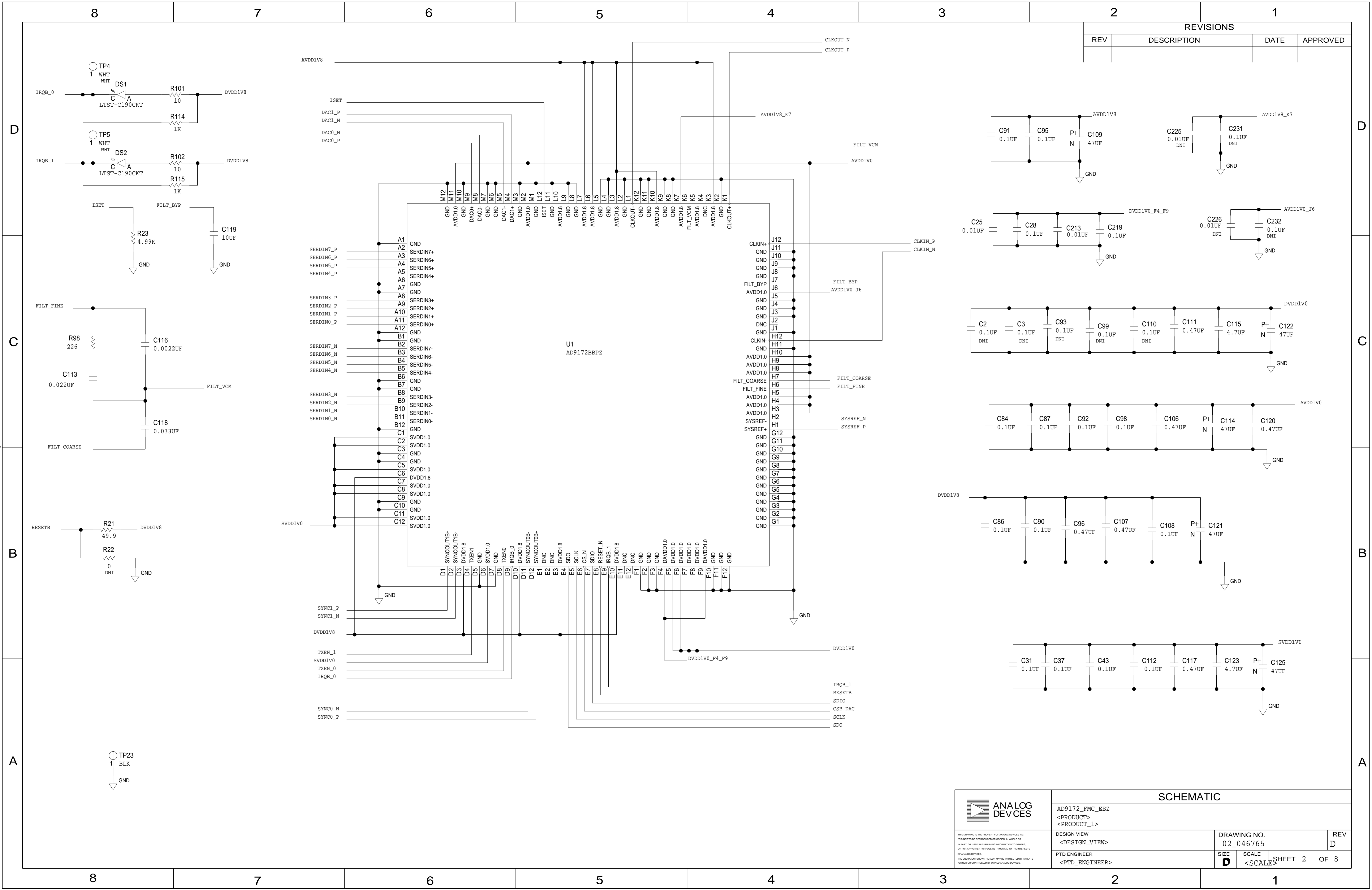
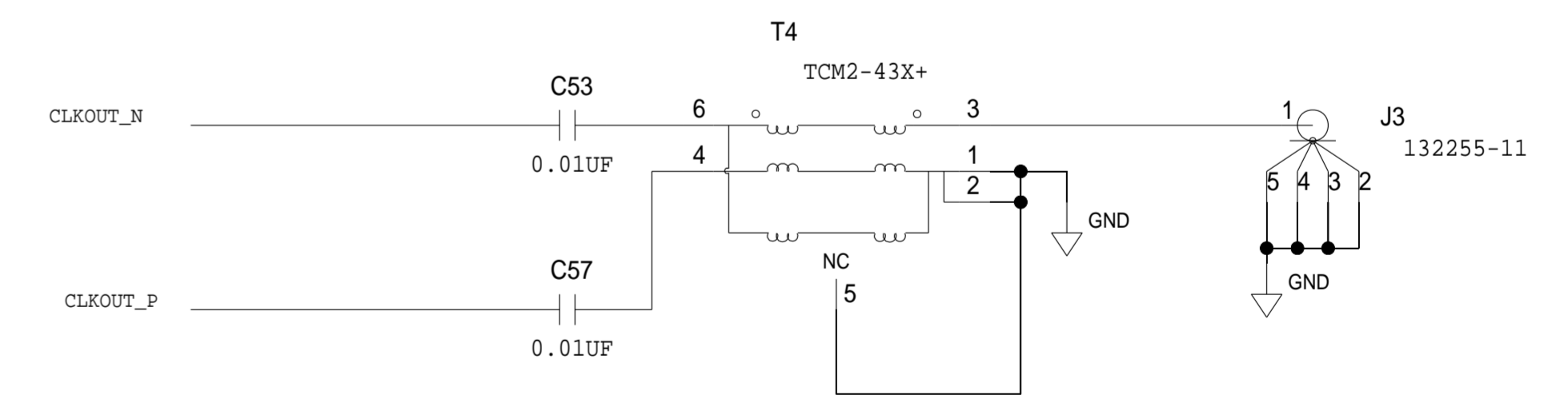
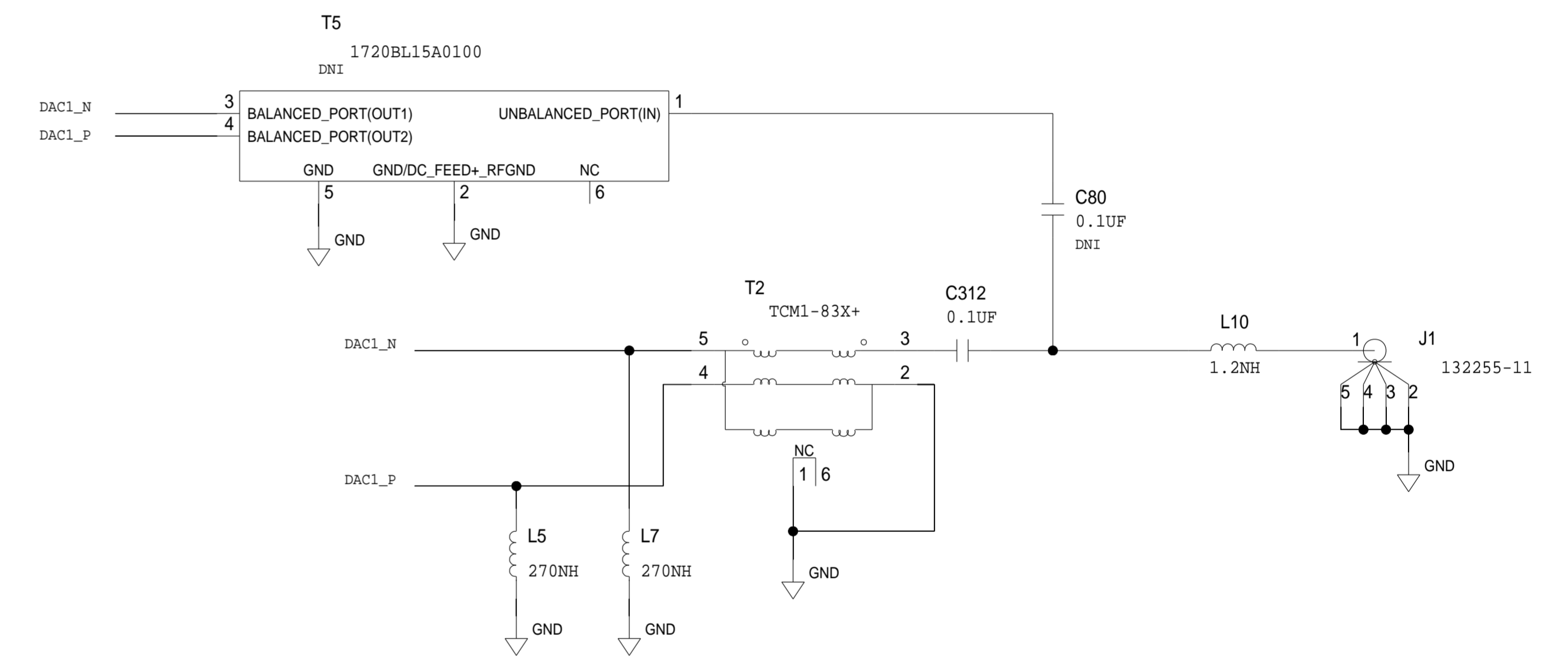
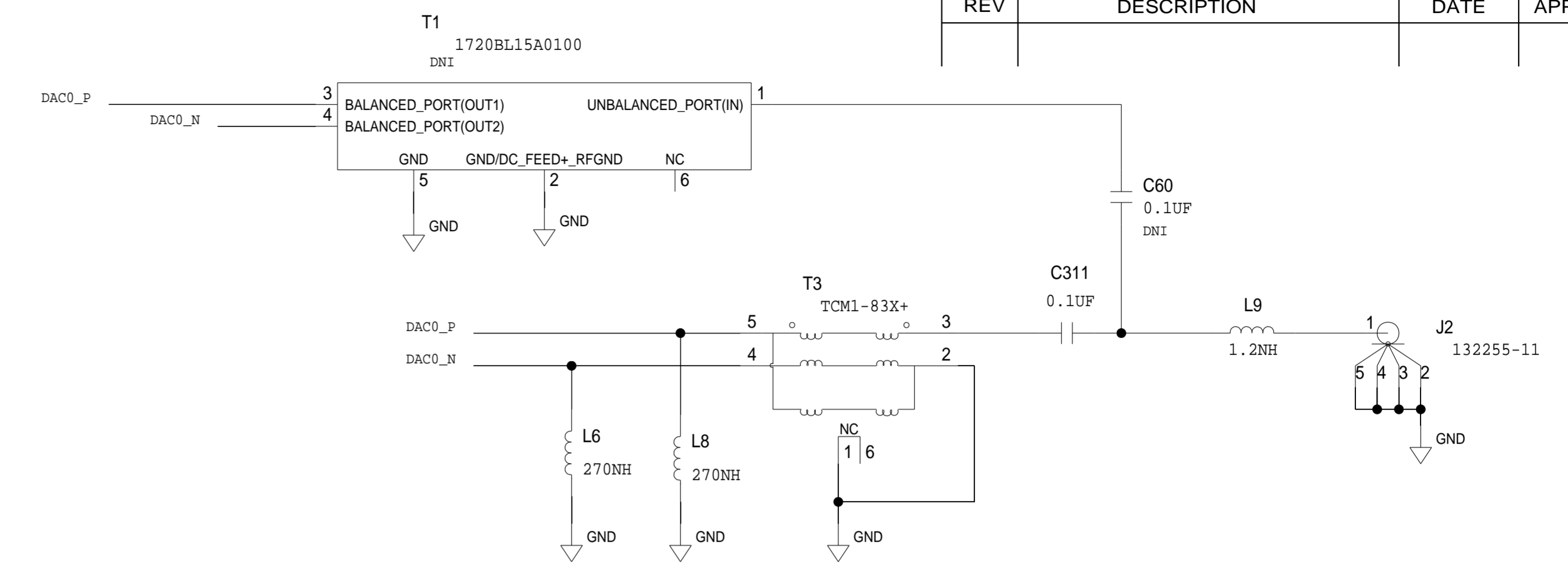
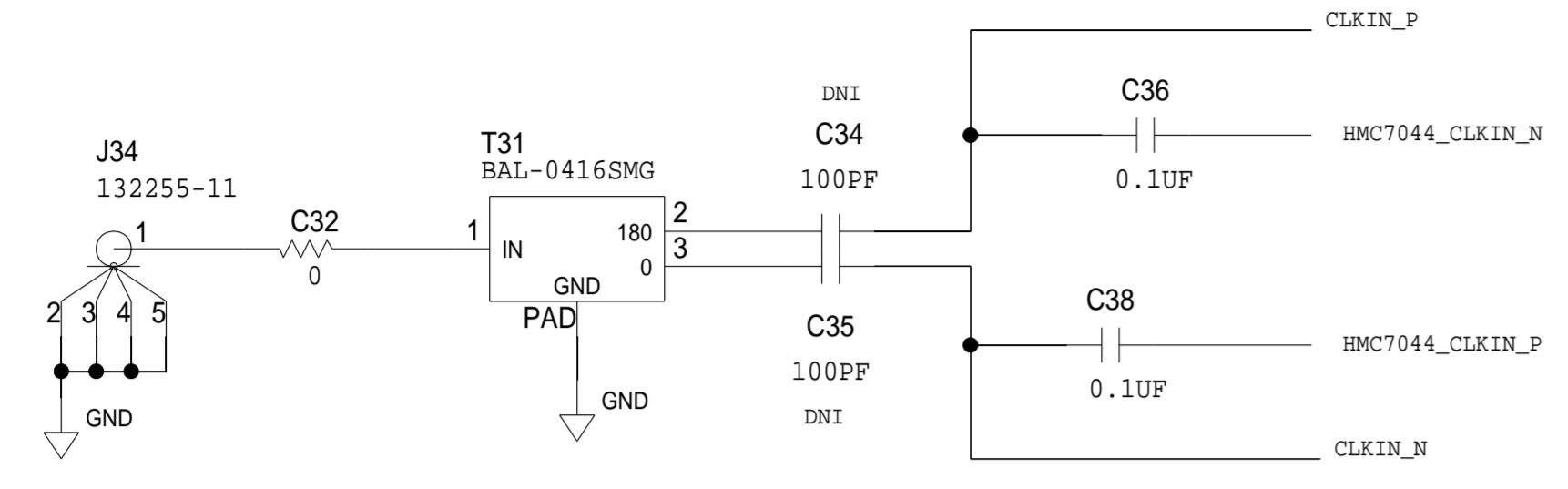


REVISIONS			
REV	DESCRIPTION	DATE	APPROVED



	SCHEMATIC		
	AD9172_FMC_EBZ		
	<PRODUCT>		
	<PRODUCT_1>		
DESIGN VIEW	DRAWING NO. 02_046765		REV D
<DESIGN_VIEW>	SIZE D	SCALE <SCALE>	SHEET 2 OF 8
PTD ENGINEER	<PTD_ENGINEER>		

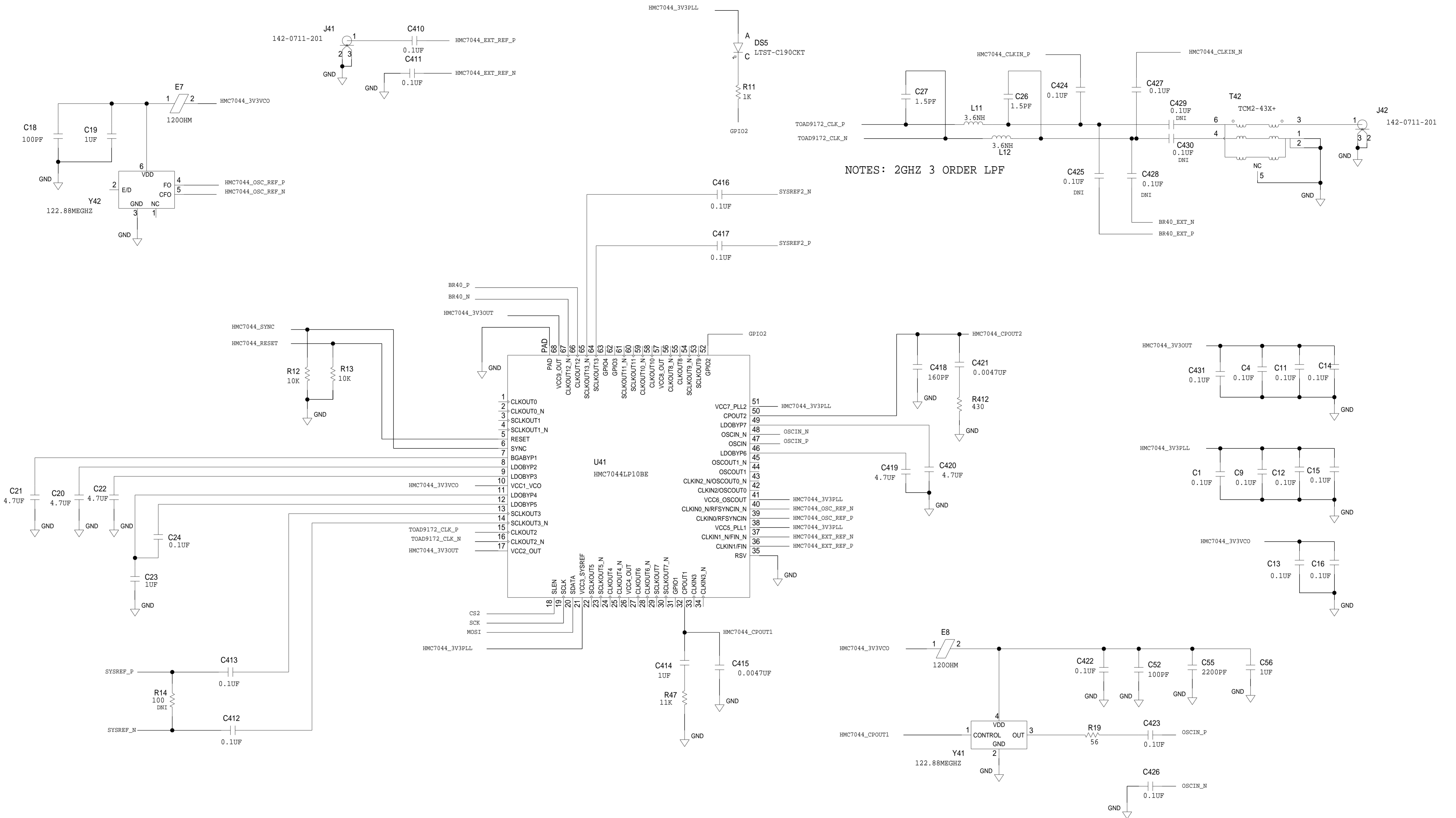
REVISIONS			
REV	DESCRIPTION	DATE	APPROVED



	SCHEMATIC		
	AD9172_FMC_EBZ <PRODUCT> <PRODUCT_1>		
	DESIGN VIEW <DESIGN_VIEW>	DRAWING NO. 02_046765	REV D
	PTD ENGINEER <PTD_ENGINEER>	SIZE D	SCALE <SCALE>

CLOCK - HMC7044

REVISIONS			
REV	DESCRIPTION	DATE	APPROVED

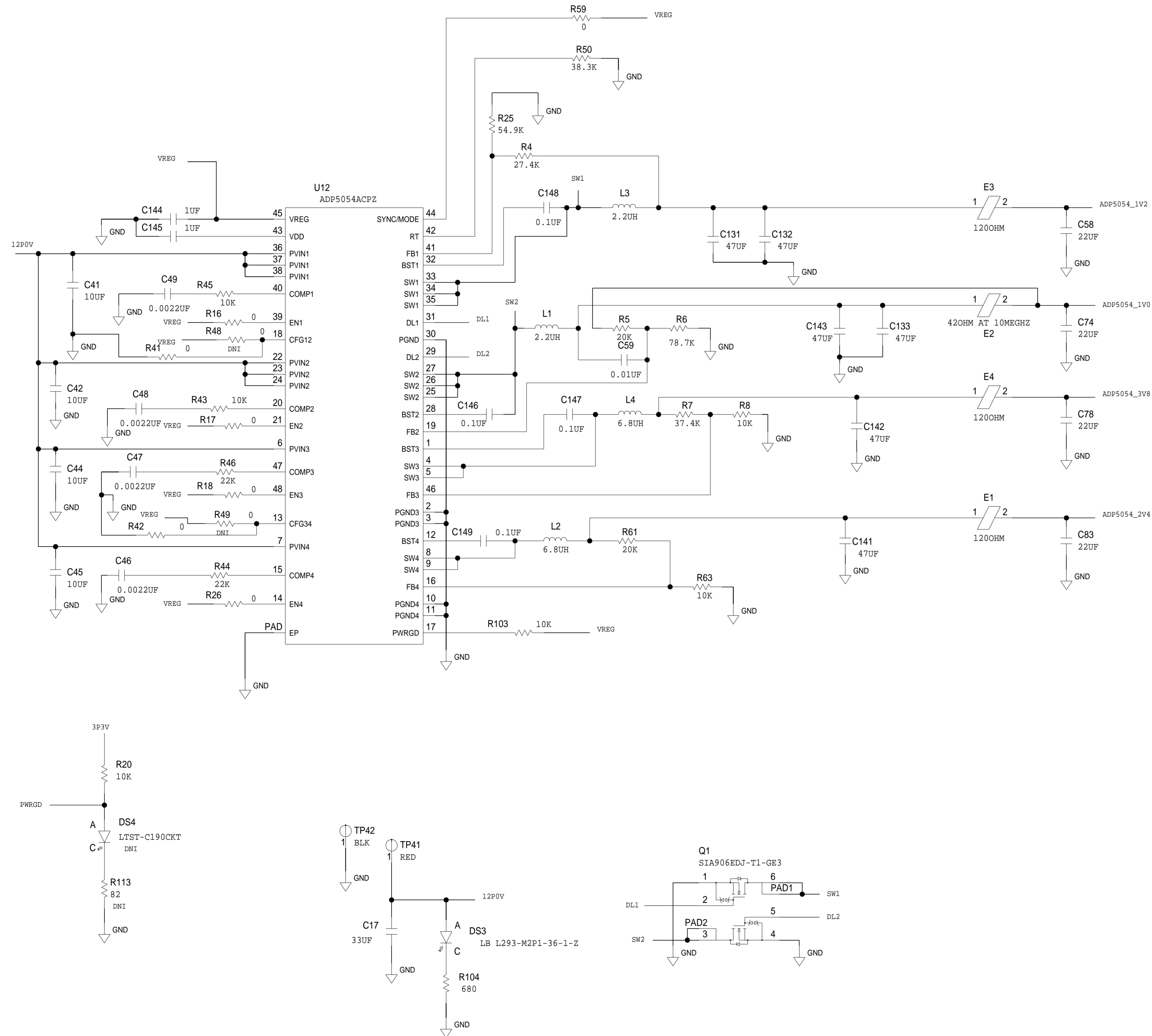


NOTES: 2GHZ 3 ORDER LPF

SCHEMATIC			
		AD9172_FMC_EBZ <PRODUCT> <PRODUCT_1>	
DESIGN VIEW <DESIGN_VIEW>		DRAWING NO. 02_046765	
PTD ENGINEER <PTD_ENGINEER>		SIZE D	SCALE <SCALE>
		SHEET 4 OF 8	

POWER - REGULATOR

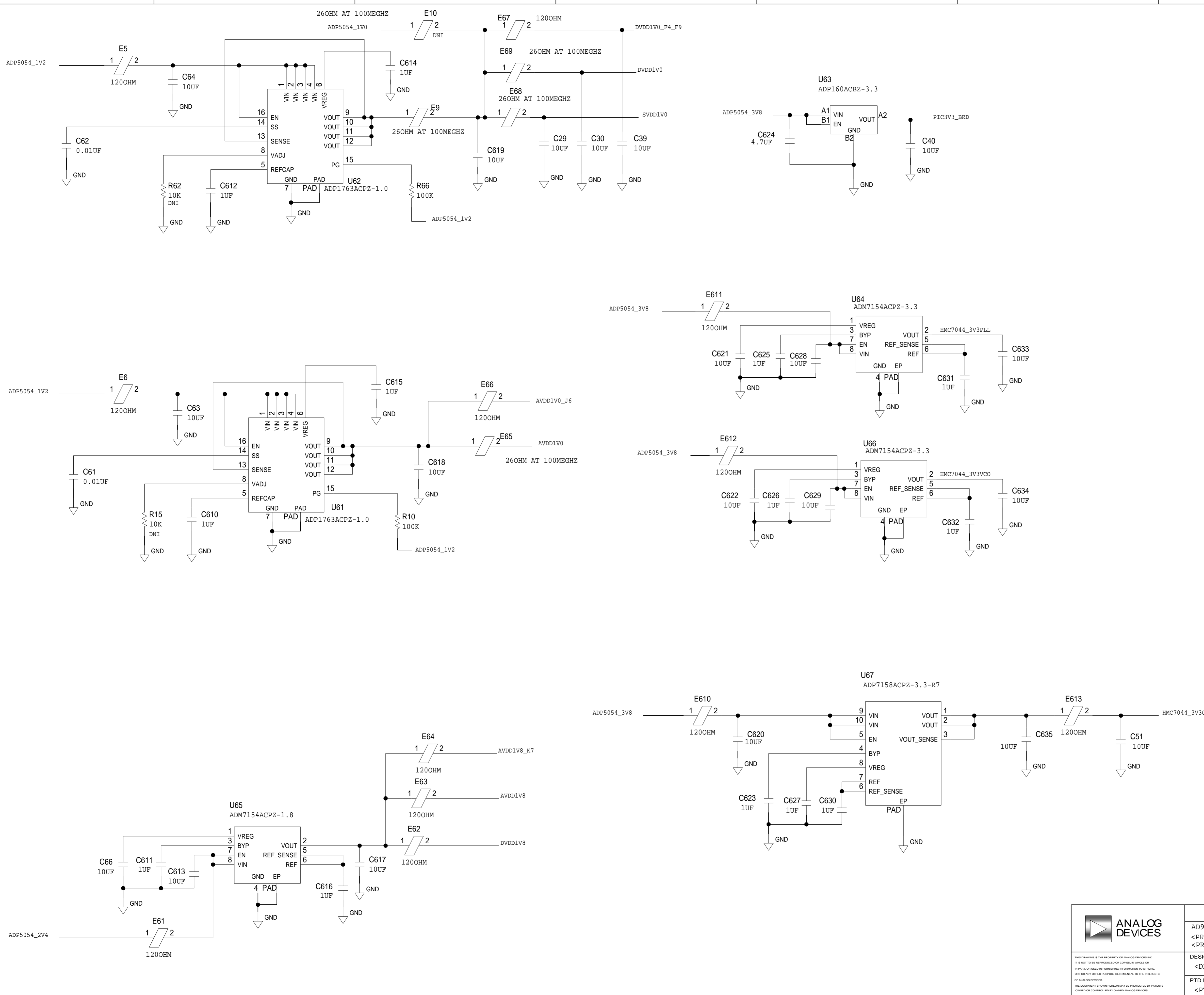
REVISIONS			
REV	DESCRIPTION	DATE	APPROVED



SCHEMATIC			
ANALOG DEVICES		AD9172_FMC_EBZ <PRODUCT> <PRODUCT_1>	
DESIGN VIEW <DESIGN_VIEW>	DRAWING NO. 02_046765	REV D	
PTD ENGINEER <PTD_ENGINEER>	SIZE D	SCALE <SCALE>	SHEET 5 OF 8

REVISIONS			
REV	DESCRIPTION	DATE	APPROVED

POWER - LDO

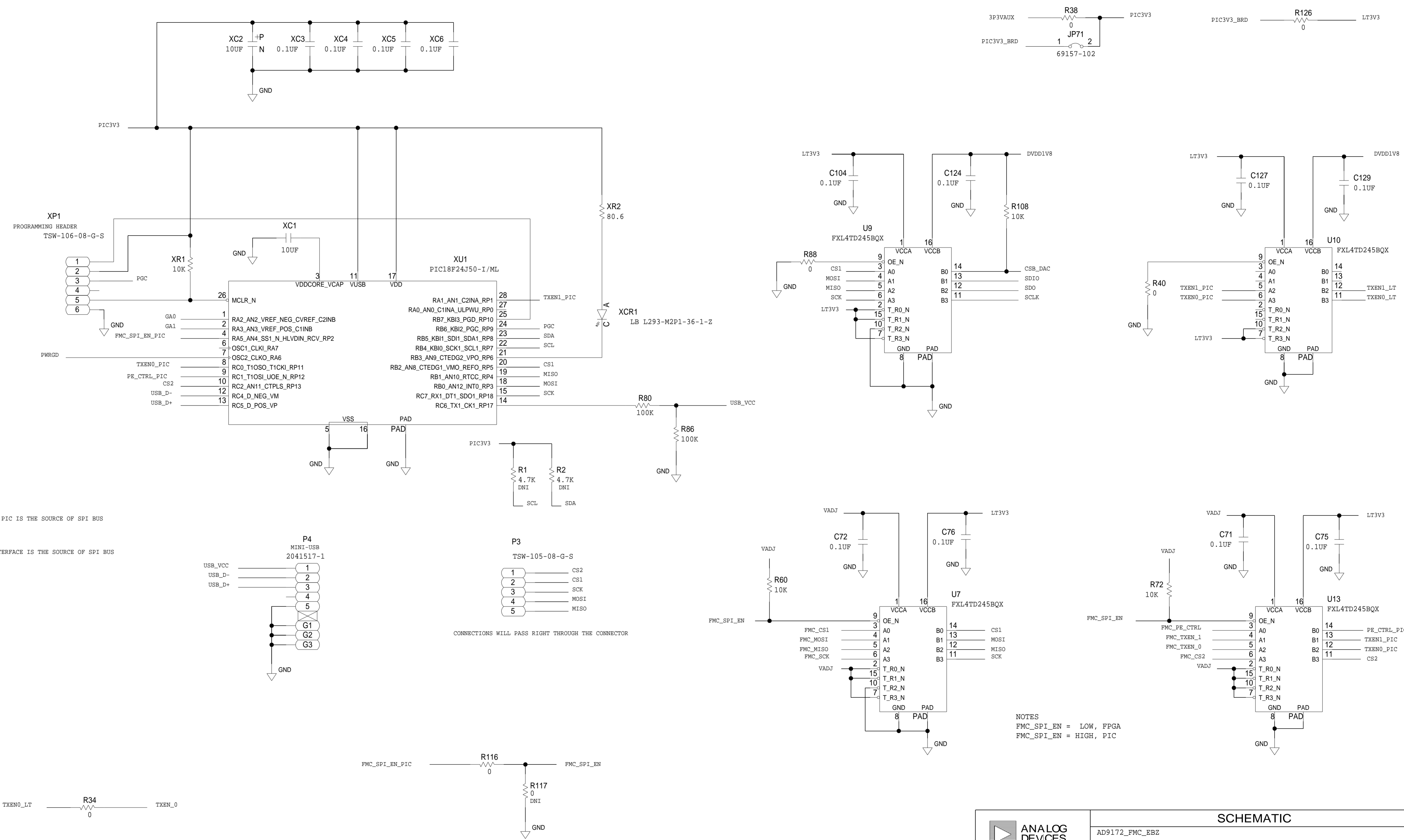


	SCHEMATIC		
	AD9172_FMC_EBZ <PRODUCT> <PRODUCT_1>		
	DESIGN VIEW <DESIGN_VIEW>	DRAWING NO. 02_046765	REV D
	PTD ENGINEER <PTD_ENGINEER>	SIZE D	SCALE <SCALE>

THIS DRAWING IS THE PROPERTY OF ANALOG DEVICES INC. IT IS NOT TO BE REPRODUCED OR COPIED, IN WHOLE OR IN PART, OR USED IN ANY MANNER WITHOUT THE WRITTEN PERMISSION OF ANALOG DEVICES. THE EQUIPMENT SHOWN HEREIN MAY BE PROTECTED BY PATENTS OWNED OR CONTROLLED BY ANALOG DEVICES.

SPI AND GPIO

REVISIONS			
REV	DESCRIPTION	DATE	APPROVED



NOTE:
 IF USB CABLE IS PLUGGED IN PIC IS THE SOURCE OF SPI BUS AND TXEN SIGNALS
 IF USB IS UNPLUGGED FMC INTERFACE IS THE SOURCE OF SPI BUS AND TXEN SIGNAL.

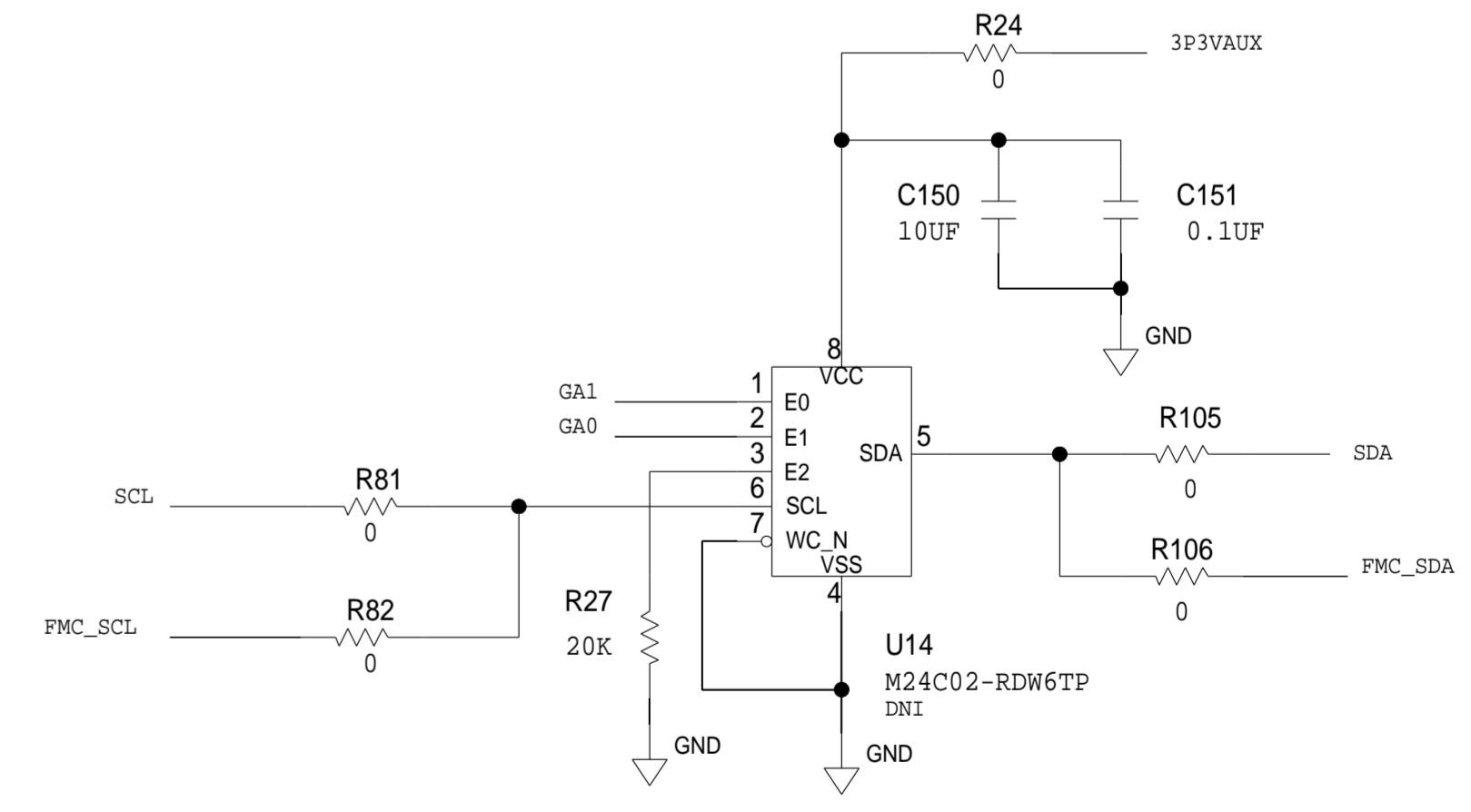
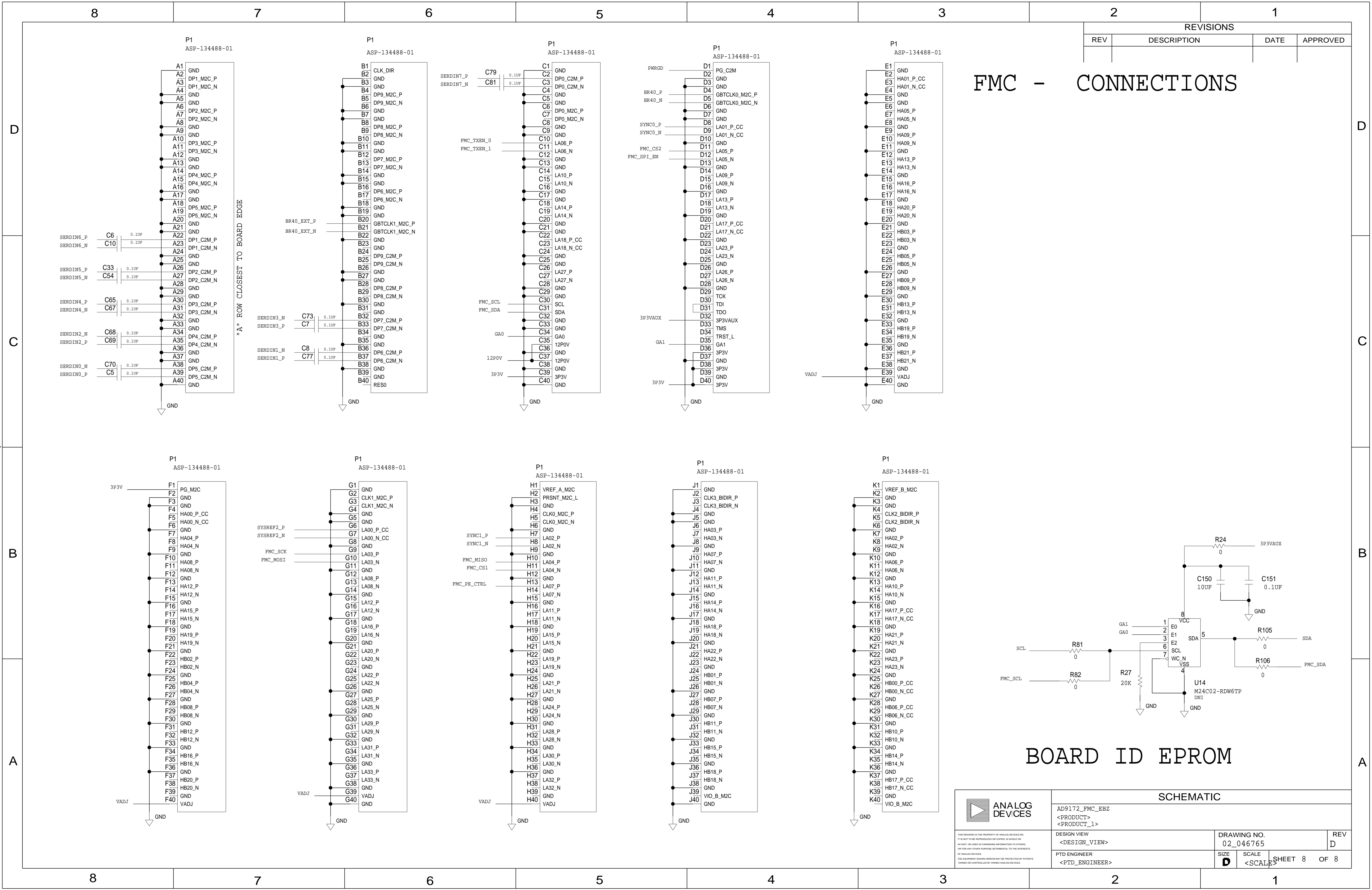
NOTES
 FMC_SPI_EN = LOW, FPGA
 FMC_SPI_EN = HIGH, PIC

	SCHEMATIC		
	AD9172_FMC_EBZ <PRODUCT> <PRODUCT_1>		
	DESIGN VIEW <DESIGN_VIEW>	DRAWING NO. 02_046765	REV D
	PTD ENGINEER <PTD_ENGINEER>	SIZE D	SCALE <SCALE>

SHEET 7 OF 8

REVISIONS			
REV	DESCRIPTION	DATE	APPROVED

FMC - CONNECTIONS



BOARD ID EPROM

SCHEMATIC			
		AD9172_FMC_EBZ <PRODUCT> <PRODUCT_1>	
DESIGN VIEW <DESIGN_VIEW>		DRAWING NO. 02_046765	
PTD ENGINEER <PTD_ENGINEER>		SIZE D	SCALE <SCALE>
		SHEET 8 OF 8	

THIS DRAWING IS THE PROPERTY OF ANALOG DEVICES INC. IT IS NOT TO BE REPRODUCED OR COPIED, IN WHOLE OR IN PART, OR USED IN ANY MANNER WITHOUT THE WRITTEN PERMISSION OF ANALOG DEVICES. THE EQUIPMENT SHOWN HEREON MAY BE PROTECTED BY PATENTS OWNED OR CONTROLLED BY ANALOG DEVICES.