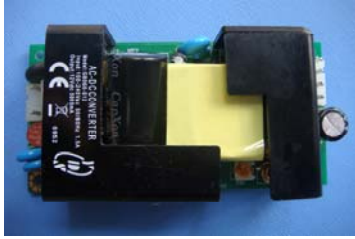


40/60Watt,Single Output,AC-DC Open Frame Converter



FEATURES:

- Universal Input 90~264VAC
- High Efficiency at 89% Typical
- Protection: Short Circuit /Overload/Over voltage
- Internal Input Filter
- 2 Years Warranty ● ROHS Compliant

G B 060 - S 05
A B C D E

A:Series
B:Open Frame
C:Output Watt
D:Single(S)
E:Output Voltage



Specifications typical at TA=25°C, nominal input voltage and rated output current unless otherwise specified

Part Number	Output Wattage	Output Voltage	Output Current	Ripple & Noise	Efficiency
	(W)	V	(mA)	(mV) max(note)	%(TYP)
GB040-S03	19.8	3.3	6000	100	72
GB040-S05	30.0	5	6000	100	78
GB040-S09	39.6	9	4400	100	80
GB040-S12	39.6	12	3300	150	85
GB040-S15	40.0	15	2670	150	86
GB040-S16	40.0	16	2500	150	86
GB040-S24	40.0	24	1670	240	88
GB040-S27	40.0	27	1480	240	88
GB040-S36	40.0	36	1110	240	88
GB040-S48	40.8	48	850	240	89
GB060-S03	26.4	3.3	8000	100	70
GB060-S05	40.0	5	8000	100	80
GB060-S09	60.0	9	6670	100	81
GB060-S12	60.0	12	5000	150	85
GB060-S15	60.0	15	4000	150	85
GB060-S16	60.0	16	3750	150	85
GB060-S24	60.0	24	2500	240	87
GB060-S27	60.0	27	2200	240	87
GB060-S36	60.0	36	1670	240	87
GB060-S48	60.0	48	1250	240	88

Input Specifications

Parameters	Conditions	Min	Typ	Max	Units
Rated input voltage	Vo,lo nom		100-240		Vac
Voltage Range	Vo,lo nom	90		264	Vac
Frequency		47	50/60	63	Hz
Inrush Current	At 100Vac			20	A
	At 240Vac			40	A
Input Fuse	VDE/UL/CCC FUSE 2.5A/250V				

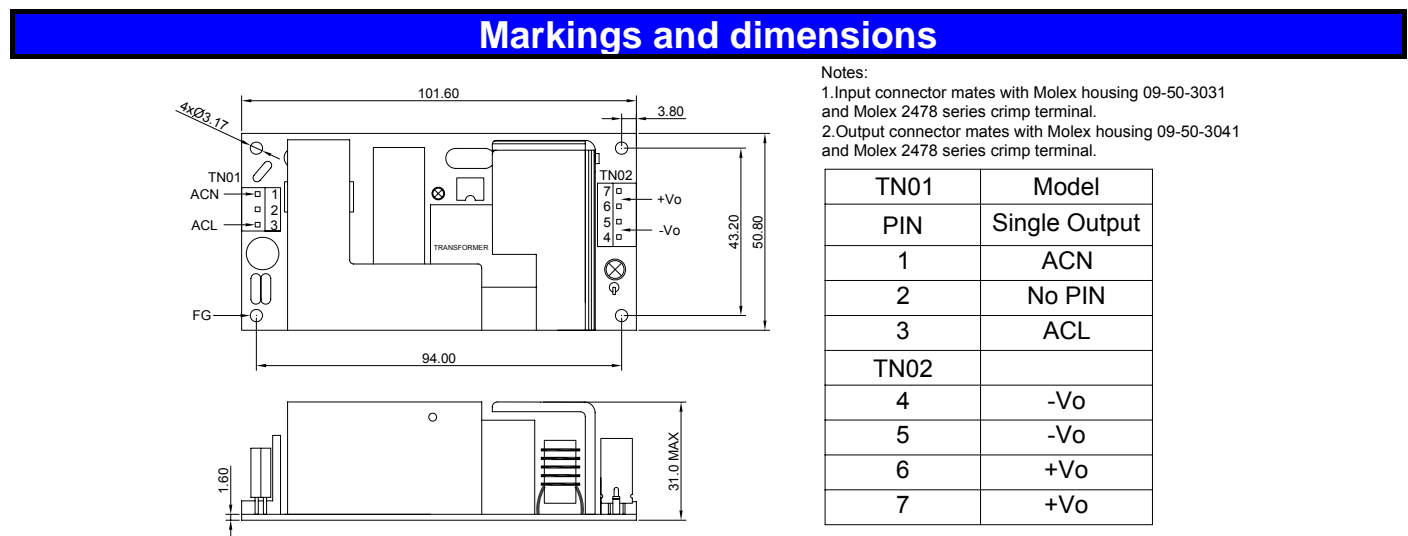
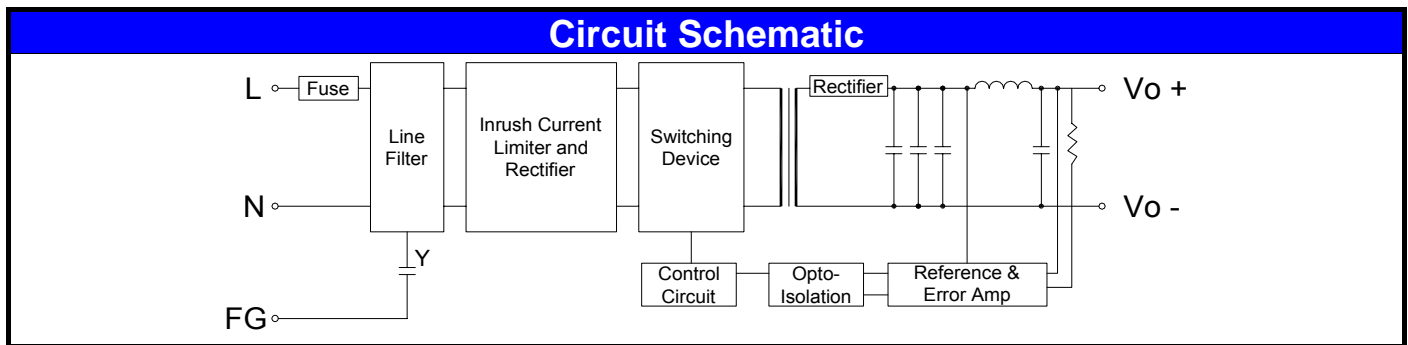
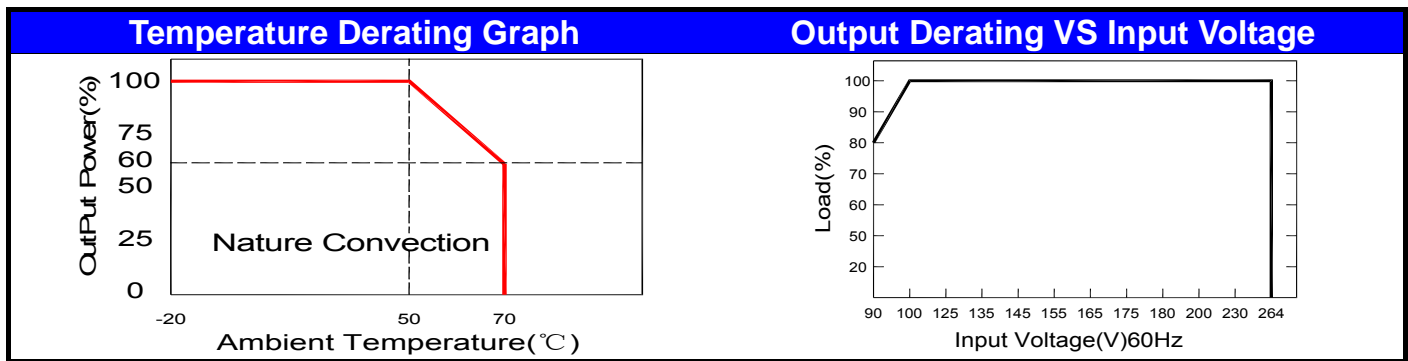
Output Specifications

Parameters	Conditions		Min	Typ	Max	Units
Output Voltage Accuracy	Vi nom,lo nom	3.3V,5V Models			±3	%
		12....48V Models			±2	%
Minimum Load	Vi nom		0			%
Line Regulation	lo nom,Vi min...Vi max			±1		%
Load Regulation	Vi nom, lo min...lo nom			±2		%
Protection	Overload		115% -150% rated output power			
	Over Voltage		120%-150% rated output Voltage			
	Short circuit		Recovery type:Shut off o/p voltage, re-power on to recover			
		Recovery type:Recovers automatically after fault condition is removed				

Note. Ripple & noise is measured by using 20 MHz bandwidth, measured with a 47uf paralleled with a high-frequency 0.47uf capacitor across each output by full load.

40/60Watt,Single Output,AC-DC Open Frame Converter

General Specifications					
Parameters	Conditions	Min	Typ	Max	Units
Switching Frequency	Vi nom,lo nom		65		KHz
Isolation Voltage	Input / Output	3KVac/ 5mA/5Secs			
Isolation Resistance	Input / Output,@500 Vdc	100			MΩ
Operating Temperature	Operating at Vi nom,lo nom	-20		+70	°C
Derating	Vi nom,lo nom+51 to 71°C			2	%/°C
Storage Temperature	Non Operational	-40		+85	°C
Relative Humidity	Vi nom,lo nom			95	% RH
Safety Standards	EN60950-1 approved				
EMI Conduction & Radiation	Compliance to EN55022				
EMS Immunity	Compliance to EN55024				
Dimension	L101.60 x W50.80 x H31.0				mm
Cooling	Free air convection				



UNIT: mm Unless otherwise specified, all tolerances are ±0.50mm