

5 Watt Regulated Dc-Dc Converter

FEATURES:

- UP TO 5WATT OUTPUT POWER
- 5PIN PACKAGE.
- PI INPUT FILTER.
- LOW RIPPLE AND NOISE.
- REGULATED OUTPUT TYPES.
- MTBF:>1,500,000 hrs
- 500Vdc Isolation
- Operating Temperature:-40°C TO +85°C



Specifications typical at TA=25°C, nominal input voltage and rated output current unless otherwise specified

Part Number	Input Voltage	Output Voltage	Output Current	Efficiency
	Vdc	Vdc	mA	%TYP
85D-05S05RNL	5	5	1000	60
85D-05S12RNL	5	12	470	65
85D-05D15RNL	5	±15	±190	65
85D-12S12RNL	12	12	470	65
85D-12S15RNL	12	15	400	65
85D-12D12RNL	12	±12	±230	65
85D-24S05RNL	24	5	1000	60
85D-24S15RNL	24	15	400	65
85D-24D12RNL	24	±12	±230	65
85D-48S15RNL	48	15	400	65
85D-48D12RNL	48	±12	±230	65
85D-48D15RNL	48	±15	±190	65

Input Specifications

Parameters	Conditions	Min	Typ	Max	Units
Voltage Types				±10	%
Filter	Capacitor				

Output Specifications

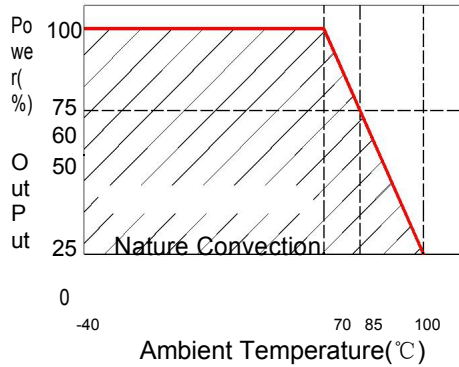
Parameters	Conditions	Min	Typ	Max	Units
Voltage Tolerance				±5	%
Short Circuit Protection	Continuous				
Line Regulation				±0.3	%
Load Regulation				±0.5	%
Ripple & Noise	BW=DC To 20MHz			50	mVp-p
Transient response setting time	50% load step change		350		us

General Specifications

Parameters	Conditions	Min	Typ	Max	Units
Isolation Resistance	500Vdc	1000			MΩ
Switching Frequency			20		KHz
Operating Temperature		-40		85	°C
Humidity	Non Condensing			95	%
Cooling	Free air Convection				
Case material	Nickel Coated With Non- Conductive Base or Black Coated			Copper With Non-Conductive Base	
Weight			55		g
Dimensions			50.8x50.8x10.2		mm

5 Watt Regulated Dc-Dc Converter

Temperature Derating Graph



Part Number

85D - 05 S 05 R NL

A B C D E F

A:Series

B:Input Voltage

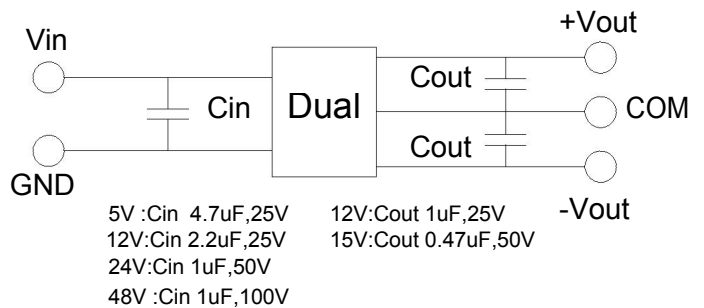
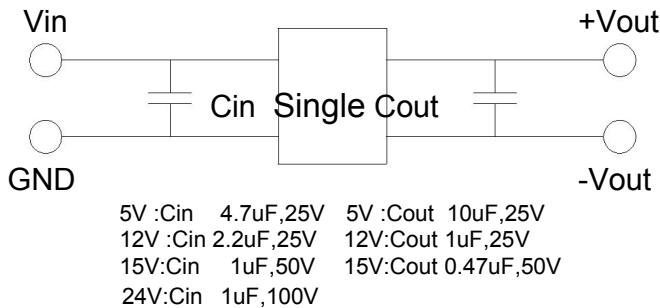
C:Single(S)Dual(D)

D:Output Voltage

E:Regulated(R)

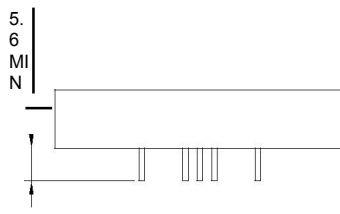
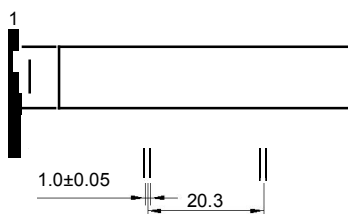
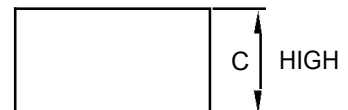
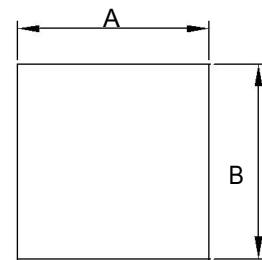
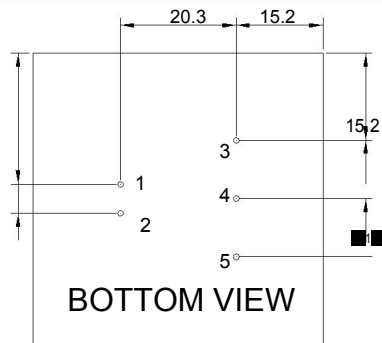
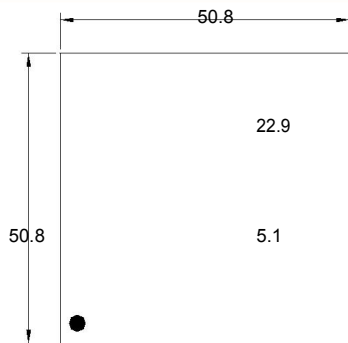
F:RoHS Version

Recommended Test Circuit



Markings and dimensions

Packaging



Size(mm)		
A	B	C
51.50	52.30	27.00

Unit: mm Unless otherwise specified, all tolerances are ±0.25

PIN Connection

PIN	1	2	3	4	5
SINGLE	+Vin	-Vin	+Vout	NO PIN	-Vout
DUAL	+Vin	-Vin	+Vout	COM	-Vout

热线: 0755-82532596

Fax: 0755-82532596

E-mail: yds_support@yds-sz.com