

FEATURES :

- 10W DIL PACKAGE
- 4:1 WIDE INPUT RANGE
- 100% BURNED IN
- HIGH EFFICIENCY
- UL94V-0 PACKAGE MATERIAL
- CUSTOMIZED SOLUTIONS AVAILABLE
- RoHS COMPLIANT
- Design refer to EN50155
- Remote Control: On/Off

Specifications typical at TA=25°C, nominal input voltage and rated output current unless otherwise specified

Part Number	Input Voltage	Input Current		Output Voltage	Output Current	Efficiency
	Vdc	No Load (mA TYP)	Full Load (mA TYP)	Vdc	Full Load (mA)	%TYP
68DW-24S03R1	9-36	50	485	3.3	3000	85
68DW-24S05R1	9-36	50	485	5	2000	86
68DW-24S12R1	9-36	30	479	12	833	87
68DW-24S15R1	9-36	30	474	15	670	88
68DW-24D05R1	9-36	30	502	± 5	± 1000	83
68DW-24D12R1	9-36	30	474	± 12	± 420	88
68DW-24D15R1	9-36	30	474	± 15	± 340	88
68DW-48S03R1	18-75	30	243	3.3	3000	85
68DW-48S05R1	18-75	30	243	5	2000	86
68DW-48S12R1	18-75	20	240	12	833	87
68DW-48S15R1	18-75	20	237	15	670	88
68DW-48D05R1	18-75	20	251	± 5	± 1000	83
68DW-48D12R1	18-75	20	237	± 12	± 420	88
68DW-48D15R1	18-75	20	237	± 15	± 340	88
68DW-110S03R1	40-160	12	106	3.3	3000	85
68DW-110S05R1	40-160	12	106	5	2000	86
68DW-110S12R1	40-160	6	105	12	833	87
68DW-110S15R1	40-160	6	104	15	670	88
68DW-110D05R1	40-160	6	110	± 5	± 1000	83
68DW-110D12R1	40-160	6	104	± 12	± 420	88
68DW-110D15R1	40-160	6	104	± 15	± 340	88

Input Specifications

Parameters	Conditions	Min	Typ	Max	Units
Voltage Types				4:1	%
Filter			PI Network		

YUAN DEAN SCIENTIFIC



DC-DC Converter

68DW-R1 SERIES

10Watt 1.6KV Isolated

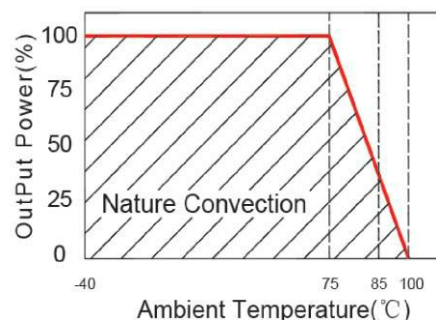
4 : 1 Input Voltage Range

Single & Dual Output

DIL



Temperature Derating Graph



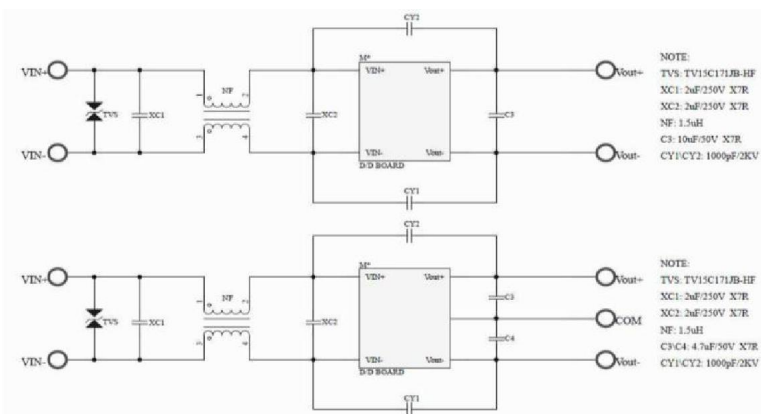
Output Specifications

Parameters	Conditions	Min	Typ	Max	Units
Voltage Tolerance	Full load@ Vin(nom.)			±2	%
Short Circuit Protection	Hiccup, automatic Recovery				
Line Regulation				±0.5	%
Load Regulation	Single			±0.5	%
	Dual(Balance Load)			±0.5	%
Cross Regulation	Dual(25% To 100% Load)			±5	%
Ripple & Noise	Output:3-15V TYPES BW=DC To 20MHz			100	mVp-p
Ripple & Noise	Output > 15V TYPES BW=DC To 20MHz			1% of Vout	mVp-p
Transient response setting time	25% load step change			350	us

General Specifications

Parameters	Conditions	Min	Typ	Max	Units
Isolation Voltage			1600		Vdc
Isolation Resistance	500Vdc	1000			MΩ
Switching Frequency			400		KHz
Operating Temperature	With derating	-40		100	°C
Storage Temperature		-55		125	°C
Humidity	Non Condensing			95	%
Cooling	Free air Convection				
Case material	Nickel coated copper with no-conductive base				
MTBF	MIL-HDBK-217F@25°C	900000			Hours
Weight			17.5		g
Dimensions			31.6x20.1x10.0		mm

Recommended Test Circuit

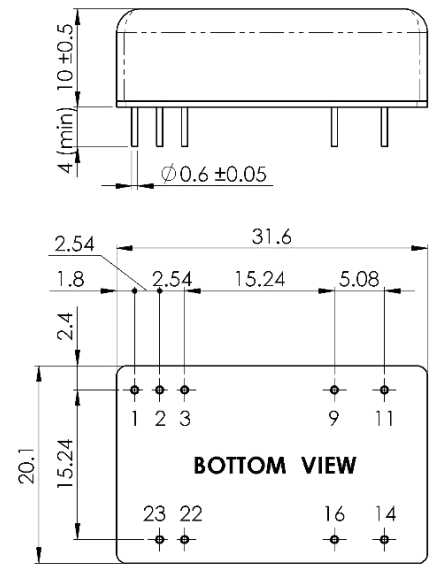


Part Number

68DW	-	24	S	03	R	1
A		B	C	D	E	F

- A : Series
- B : Input Voltage
- C : Single(S);Dual(D)
- D : Output Voltage
- E : Regulated(R)
- F : Case Type

Markings and dimensions



Unit : mm
Tolerance : XX.X±0.5 , XX.XX±0.25

PIN Assignment

Pin	1	2,3	9	11	14	16	22,23
Single	Remote	-Vin	NC	NC	+Vout	-Vout	+Vin
Dual	Remote	-Vin	Common	-Vout	+Vout	Common	+Vin