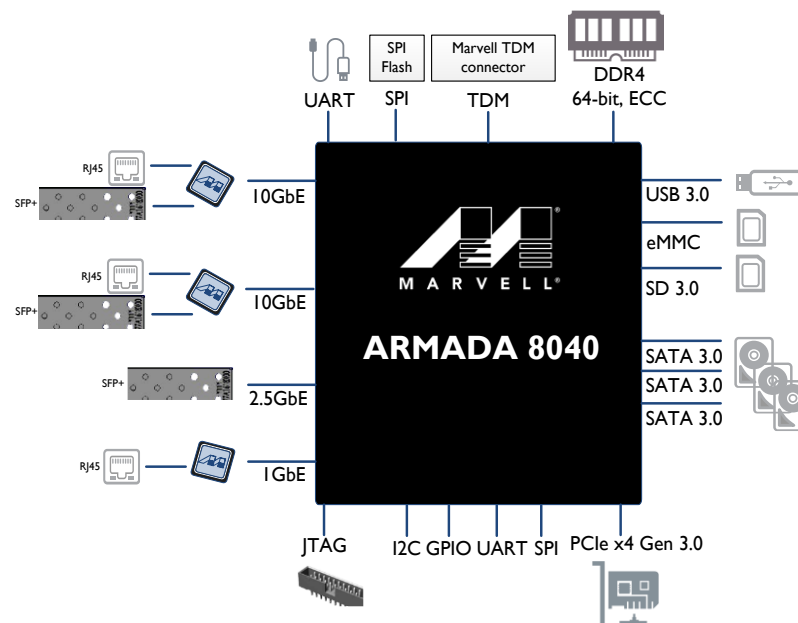
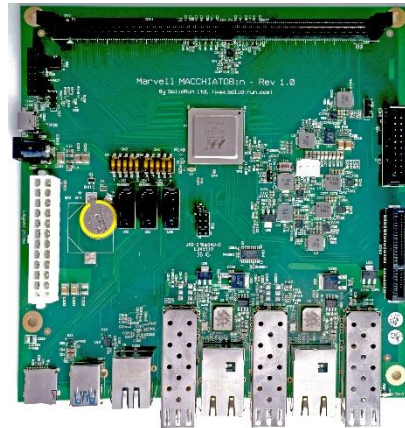


Marvell ARMADA 8040 Community Board

MACCHIATOBin



For ordering the MACCHIATOBin please visit:

<https://www.solid-run.com/MACCHIATOBin>

SolidRun Ltd.

3 Dolev st., 3rd floor, P.O. Box 75
Migdal Tefen 2495900, Israel.

www.solid-run.com

Overview

MACCHIATOBin is the Marvell ARMADA 8040 Community Board, a first-of-its-kind Cost-Effective, High Performance and Networking ARMv8 community board.

System Specifications

MACCHIATOBin		
ARMADA 8040 SoC	Processor	Quad core ARMv8 Cortex-A72 (up to 2GHz) Full CPU virtualization ARMv8 Cryptography and CRC extensions High-bandwidth, low-latency Coherency Fabric
	Accelerations	Packet Processor Security Engine DMA engines XOR engines for RAID 5/6 acceleration
	Other Features	IO virtualization SBSA
Memory	DDR4 DIMM slot with optional ECC and single/dual chip select support	
Networking	Dual 10GbE* via copper or SFP 2.5GbE** via SFP 1GbE via copper	
Flash	SPI Flash	
Storage	3 x SATA 3.0 connectors MicroSD connector eMMC	
High speed expansion	PCIex4 3.0 slot USB 3.0 connector	
Low speed expansion	Marvell TDM module header	
Development and Debug interfaces	Console port (UART) over micro USB connector (FTDI onboard) 20-pin Connector for CPU JTAG debugger 2 x UART headers	
Power	12V input via DC Jack / ATX type power connector	
Form Factor	Mini-ITX (170 mm x 170 mm)	
Optional Accessories	Additional DDR4 DIMM options 12V DC power supply ATX power supply Standard Mini-ITX Case	
Software	Mainline Linux Mainline U-Boot UEFI (Linaro UEFI tree)	U-Boot 2015.11 Linux Kernel 4.4.x Yocto 2.1
	SUSE Linux Debian	netmap OpenDataPlane (ODP) OpenFastPath DPDK

(*) Support 1GbE/2.5GbE/10GbE

(**) Support 1GbE/2.5GbE