





ST25R3911B-DISCO



life.augmented

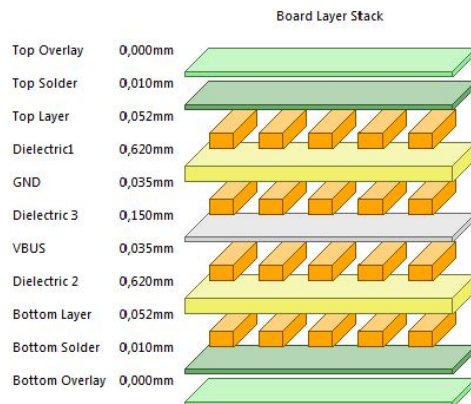
Title ST25R3911B-DISCO				
Size: A4	Number: 1	Revision: C1		
Date: 17.07.2017	Time: 17:06:45	Sheet 1 of 7	MDG NFC & Reader Competence Center	
File: Title Page.SchDot				

# ST25R3911B-DISCO

## Table of Contents

- Sheet 1: Title Page
- Sheet 2: Project Page (This page)
- Sheet 3: Project Overview
- Sheet 4: USB & PMU Schematic
- Sheet 5: STM32L4 Schematic
- Sheet 6: ST25R3911B Schematic
- Sheet 7: Matching and Antenna Circuit Schematic

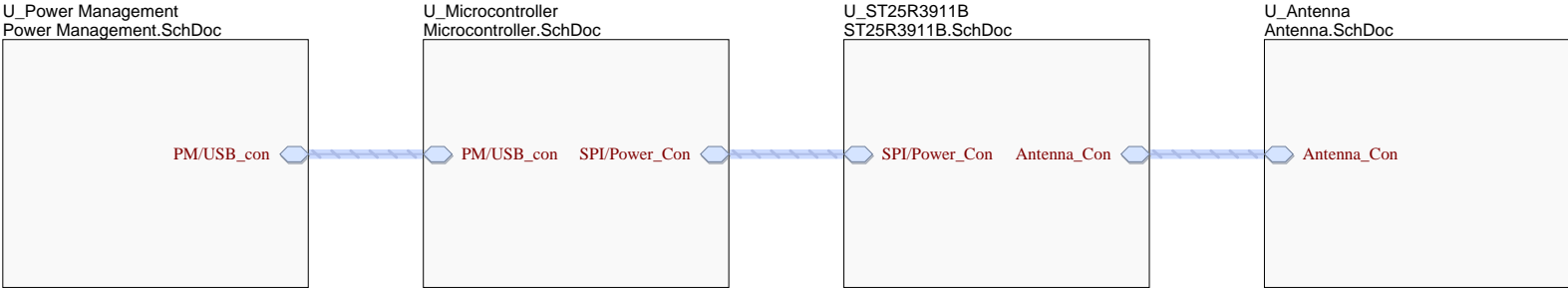
## PCB Stackup



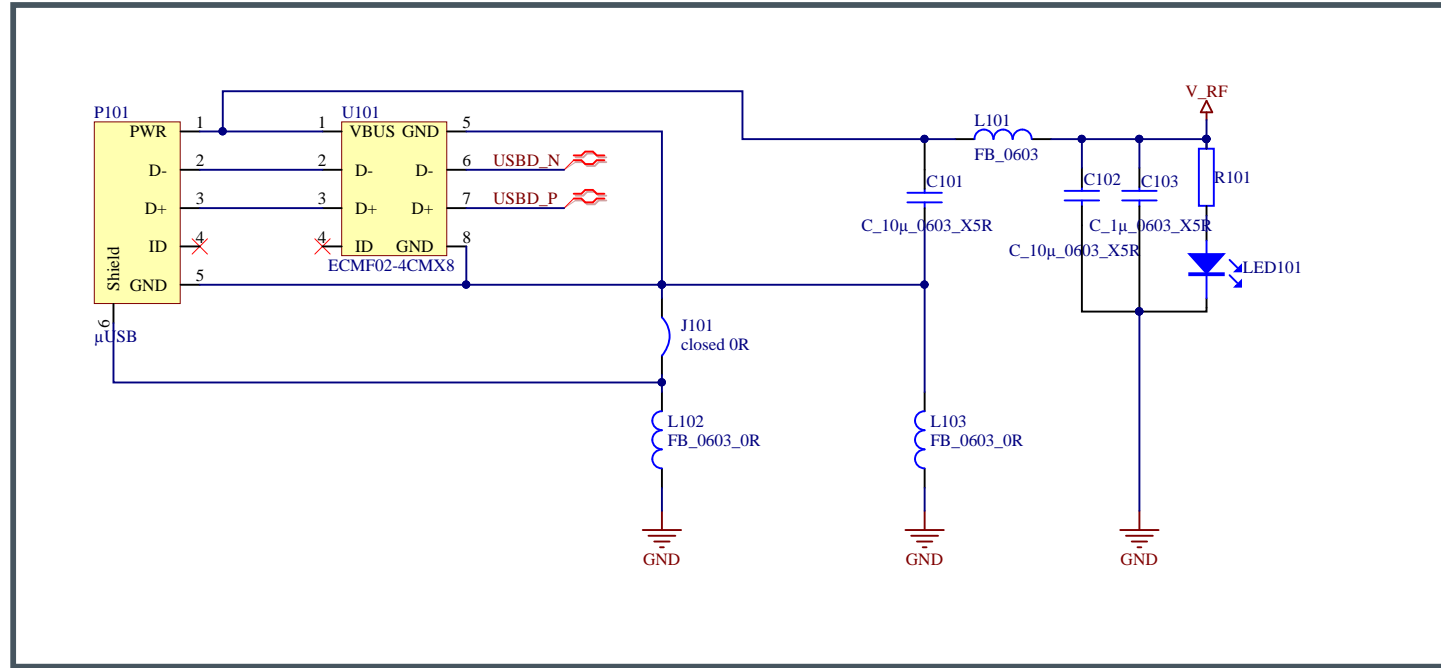
## Revision History

Revision	Release Date	Design Changes
A1	31/03/2017	Internal Release
B1	06/06/2017	Official Release

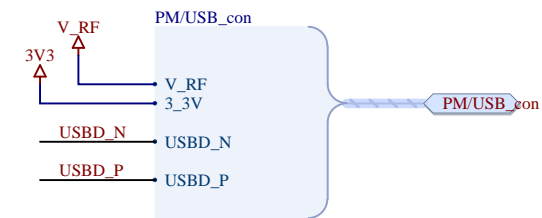
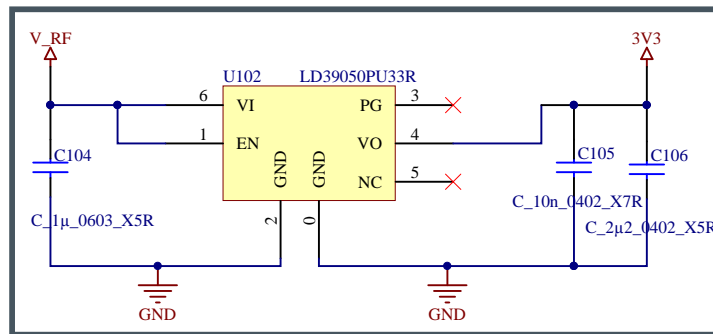
Title ST25R3911B-DISCO				
Size: A4	Number: 2	Revision: C1		
Date: 17.07.2017	Time: 17:06:45	Sheet 2 of 7	MDG NFC & Reader Competence Center	
File: Project Page.SchDoc				



## USB Interface



## 3V3 LDO



Title ST25R3911B-DISCO

Size: A4

Number: 4

Revision: C1

Date: 17.07.2017

Time: 17:06:45

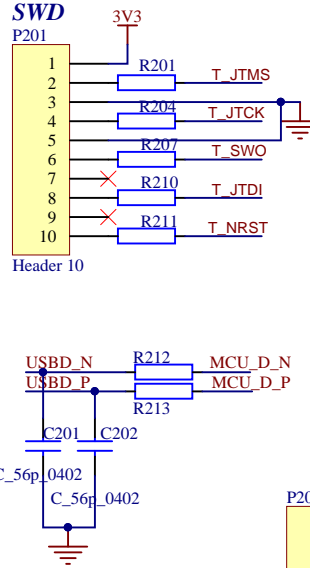
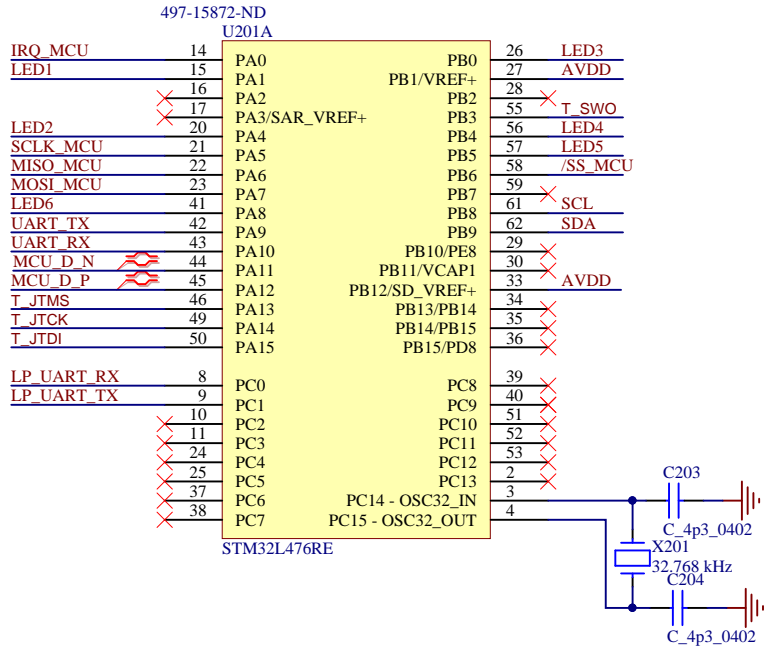
Sheet 4 of 7

File: Power Management.SchDoc

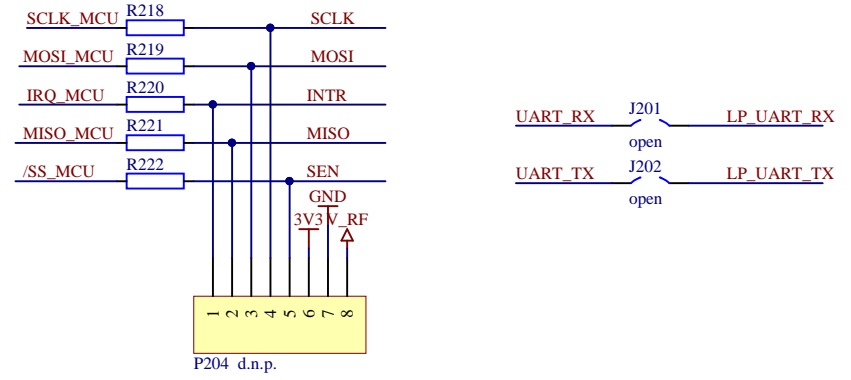
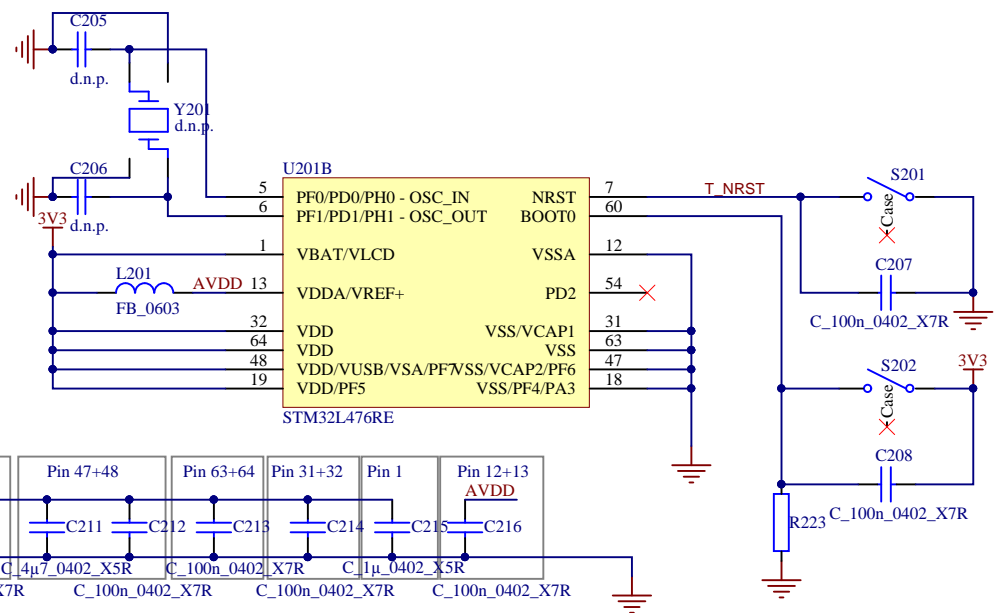
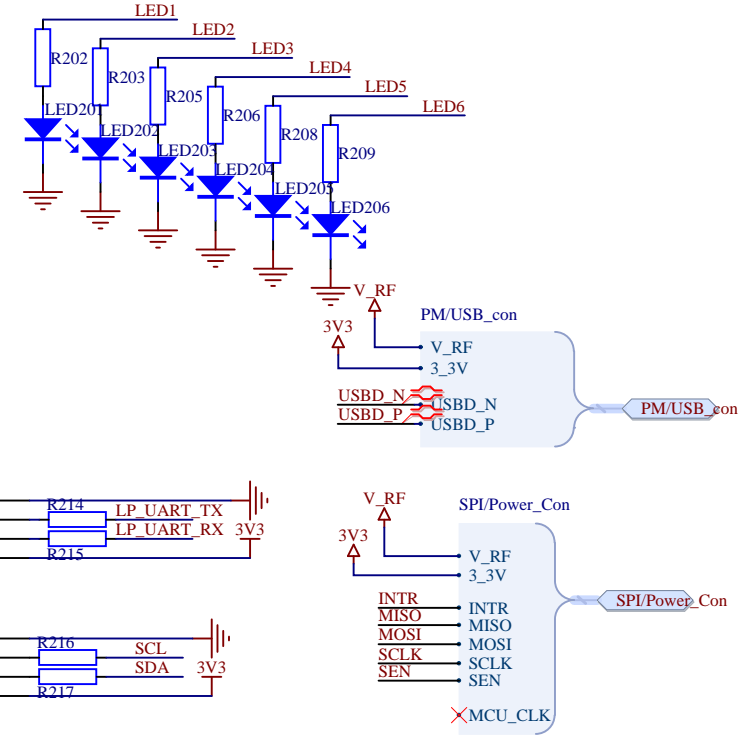


MDG NFC & Reader Competence Center

# Microcontroller

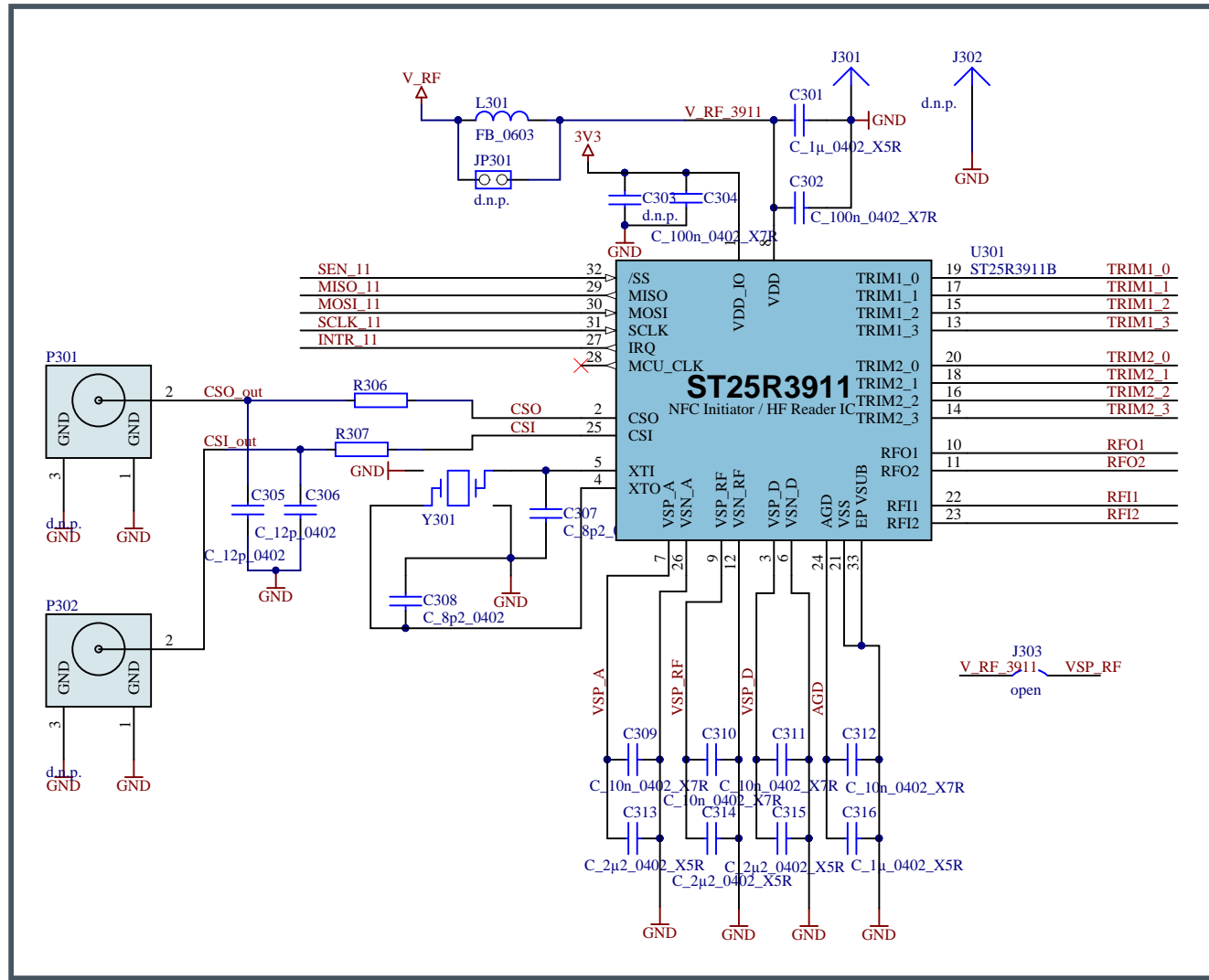


# Interface

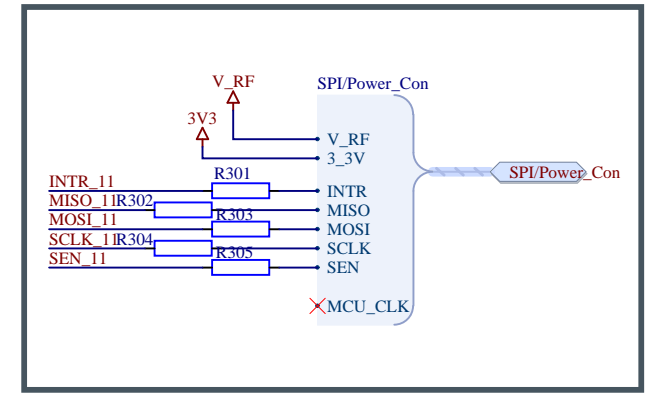


Title ST25R3911B-DISCO				
Size: A4	Number: 5	Revision: C1		
Date: 17.07.2017	Time: 17:06:46	Sheet 5 of 7	MDG NFC & Reader Competence Center	
File: Microcontroller.SchDoc				

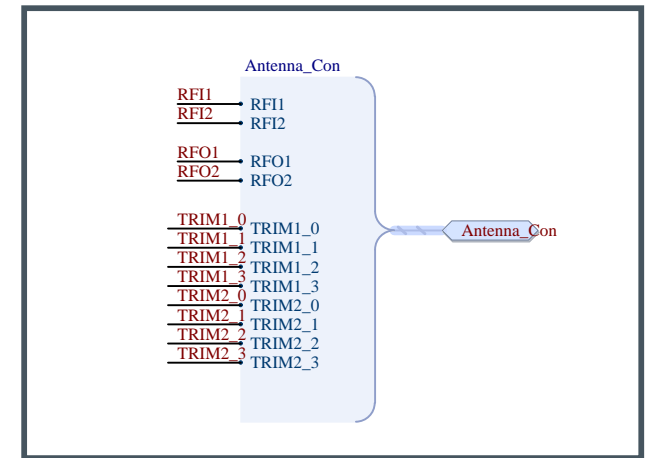
# ST25R3911 NFC Initiator / HF Reader



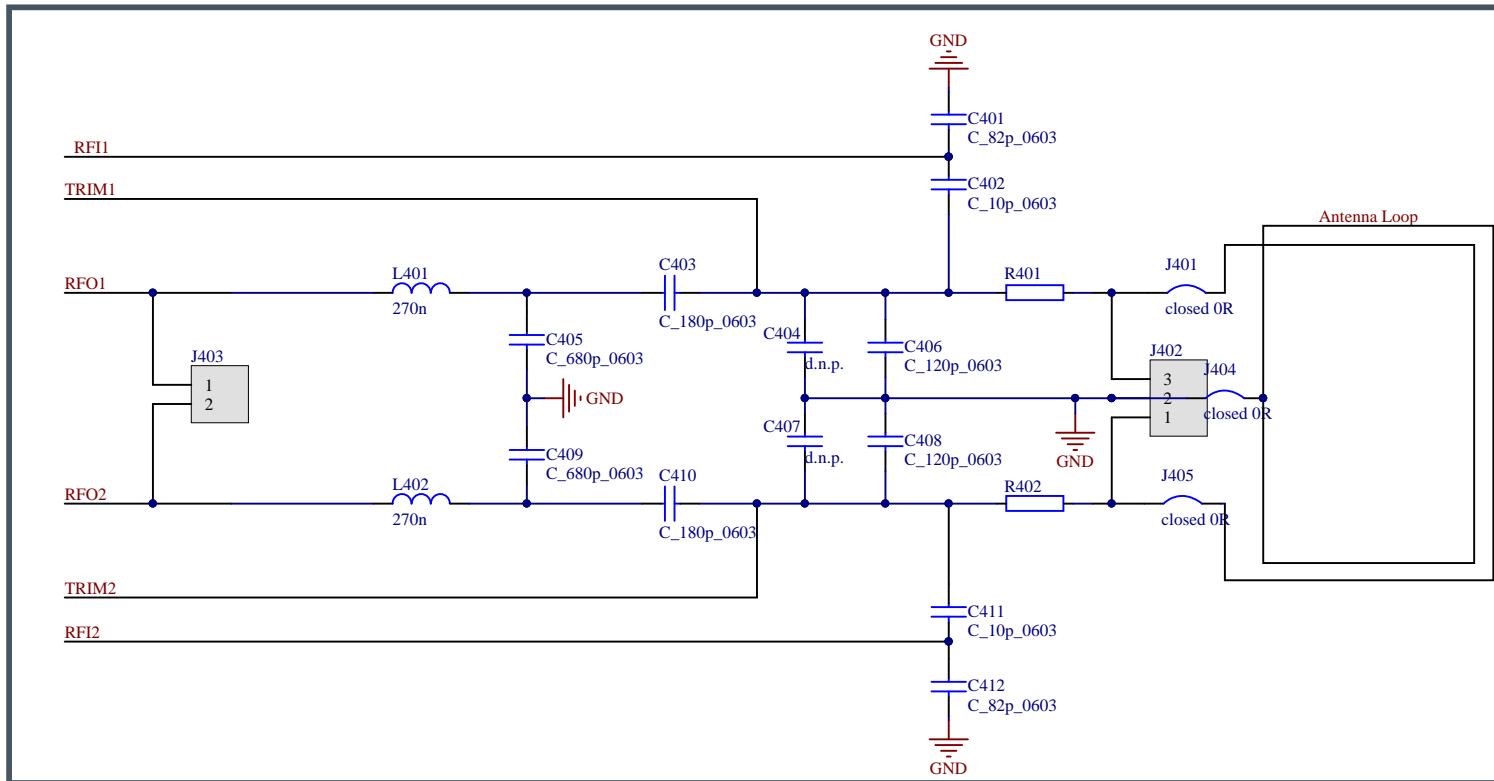
## Controller Interface



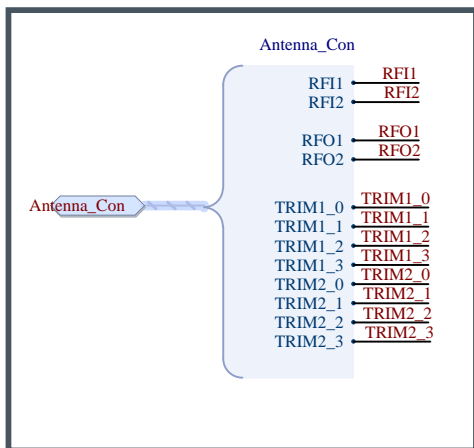
## Antenna Connection



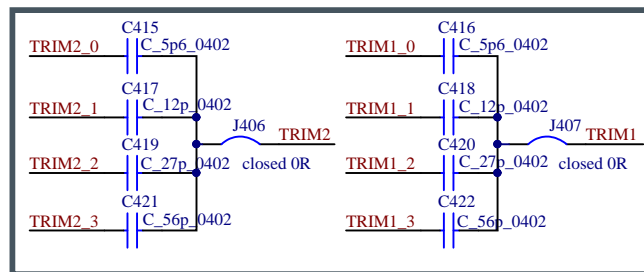
# Antenna Circuit incl. EMI Filter and Matching



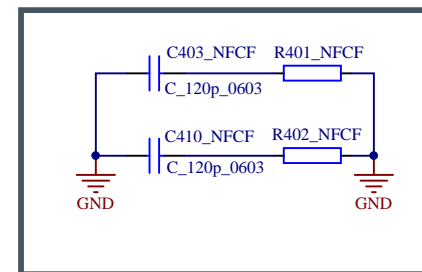
## Antenna Connection



## Trim Capacitor Banks



## NFC Forum matching



Title: ST25R3911B-DISCO

Size: A4

Number: 7

Revision: C1

Date: 17.07.2017

Time: 17:06:47

Sheet 7 of 7

File: Antenna.SchDoc

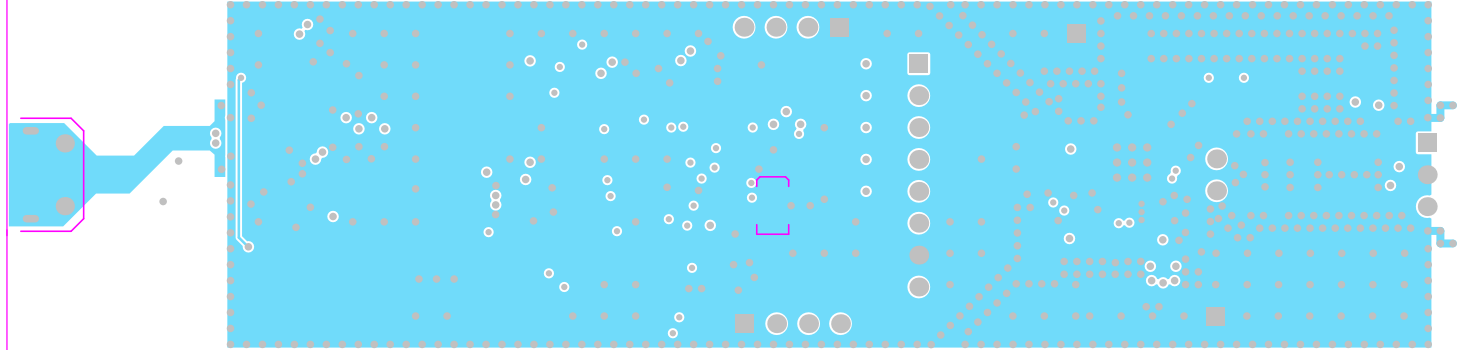


MDG NFC & Reader Competence Center

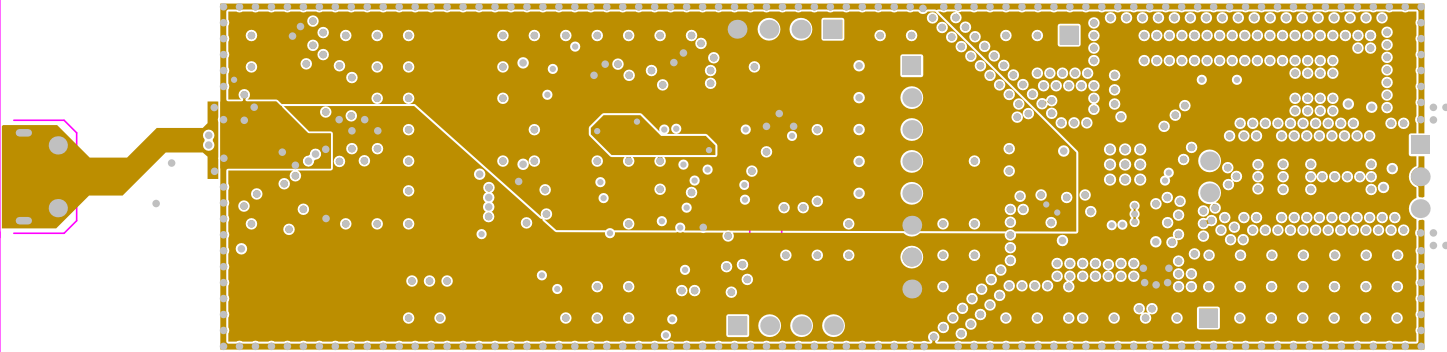




GND

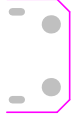


PWR

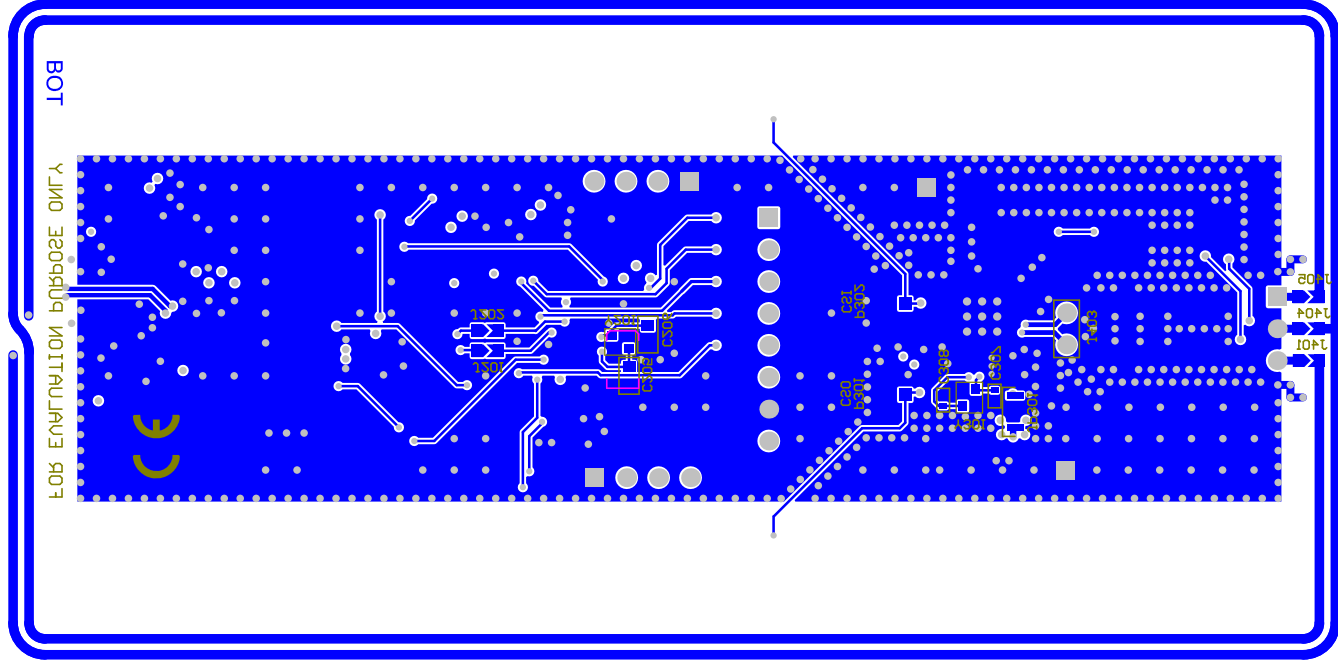




ΣΥΜΒΟΛΟ  
COMPLIANT  
RoHS



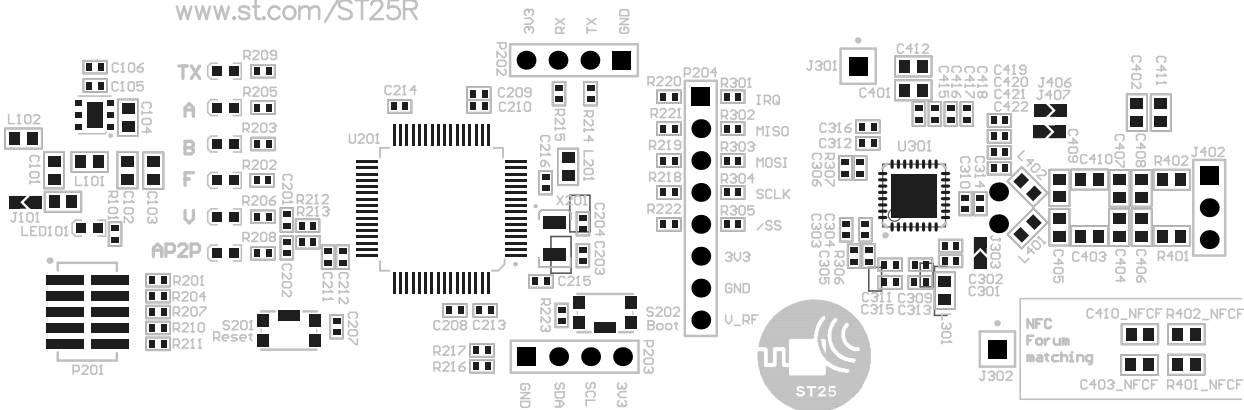
IC: 82ΔΕΒ-Κ3Δ11ΒΔ1  
ECC ID: ΑΣΒΚ3Δ11ΒΔ1



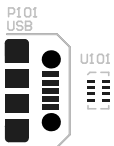
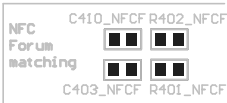


www.st.com/ST25R

Capacitive Sensing



Capacitive Sensing



ST25R3911B-DISCO

MB1325-C



ΣΧΗΜΑΤΙΣΜΟΣ  
COMPLIANT  
RoHS



IC: 88ΔΕΒ-Κ3ΘΔΔΒΔΔ  
FCC ID: ΑΣΒΚ3ΘΔΔΒΔΔ

ΓΟΤΡ ΔΛΛΓΛΤΑΙΟΝ ΒΝΚΒΘ2Ε ΟΜΓΛ



10S1  
S0S1



CS0R  
CS0R  
10SY



c20  
b30I



C308



10EY

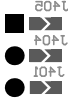
C30S



1b30I



1403



1401

1404

1402